

Aspire RF switch

Project Name:	Prepared By:
Project Number:	Date:
Catalog Number:	Type:

Description

Single pole, 3-way, 4-way
 15A, 120V/AC, 60Hz
 LED, CFL, incandescent, magnetic low-voltage, electronic low-voltage, fluorescent, halogen

Design features for Aspire RF switch

- Compatible with Aspire RF accessory switch (RF9517) for wireless 3-way control eliminating the need for traditional 3-way wiring (up to 5 locations)
- Neutral wire required for installation
- Can be associated with up to 5 other devices
- Decorator and designer series products offer the same functionality with two distinct styles
- Electro-mechanical push button for ON/OFF operation
- Patented indicator system alerts if switch is not set up in the network
- Blue LED illuminates to indicate ON/OFF status
- Single button programming
- Programmable delayed OFF mode up to 4 minutes (default is 10 seconds)
- Child lockout feature
- All-ON/All-OFF inclusion
- Configurable "power up state"



RF9501AW
 Designer series



RF9501DW
 Decorator series

Table 1. Aspire RF switch (no neutral required)

Catalog No.	Description	Designer Color Suffix	Decorator Color Suffix
□ RF9501_	15A switch	AW, DS, SG, WS	DBK, DLA, DW

Compliances, specifications and availability are subject to change without notice.



Powering Business Worldwide

Project Name:	Prepared By:
Project Number:	Date:
Catalog Number:	Type:

Applications for Aspire RF switch

The Aspire RF 15A switch replaces regular switches or dimmers (where a neutral is present) to provide local and remote ON/OFF control for LED, CFL, incandescent, magnetic low-voltage, electronic low-voltage, and fluorescent lighting loads. The Aspire RF switch provides other programmable functions (scenes, events, association, child lockout, etc.) when used with Aspire RF or other Z-Wave® compliant controllers*. Each switch can be manually and remotely controlled by commands sent from an Aspire RF controller or other Z-Wave compatible controllers or programs. An Aspire RF switch utilizes existing 120V/AC 60Hz standard house wiring and fits in a standard-sized wallbox. Neutral wire required for installation. No new wiring needed. *Note: some specific Aspire RF features may not be programmable.

Table 2. Specifications

Catalog No.	Switch RF9501
Performance	Maximum Amperage: 15A Rating: 120V/AC, 60Hz Uses 300 Series Z-Wave Chip @ 40Kbs
Performance Consideration	An Aspire RF Z-Wave enabled device must be within 60 feet of another Z-Wave enabled device to participate in a Z-Wave wireless mesh network. Any one dimmer or switch can be associated with up to 5 devices (dimmers, switches, receptacles, or plug-in modules)
Installation & Programming	Please reference the Instruction Sheet included with the product for wiring installation. For programming of the device, see the Aspire RF User Manual, which is provided with either the handheld (RFHDCSG) or tabletop (RFTDCSG) controllers and are also accessible online at www.cooperwiringdevices.com/AspireRF
Testing & Code Compliance	cULus Listed 244A. NOM Certified. Complies with FCC Part 15, Class B. Z-Wave Compliant Certified
Terminations	Switch has four 6" wire leads for line, load, ground and neutral
Material Characteristics	Flammability: Meets UL94 requirements; V2 rated Temperature Rating: 32°F to 104°F (0°C to 40°C)
Warranty	2-year limited product warranty

Table 3. Color Ordering Information

For ordering devices, include Catalog No. followed by the Color Suffix: AW (Alpine White), DS (Desert Sand), Silver Granite (SG), WS (White Satin), DBK (Decorator Black), DLA (Decorator Light Almond), DW (Decorator White).

Designer series color options:

AW	AW	DS	DS	SG	SG	WS	WS
Alpine White		Desert Sand		Silver Granite		White Satin	

Decorator series color options:

DBK	DLA	DW
Decorator Black	Decorator Light Almond	Decorator White

Table 4. Device Configuration Parameters

Parameter	Description	Value range
1	Delayed OFF	*0 to 127 -128 to -1
2	Panic ON time	*0 to 127 -128 to -1
3	Panic OFF time	*0 to 127 -128 to -1
4	Basic set value	*0 to 127 -128 to -1
5	Power up state	1=OFF, 2=ON, 3=Last state
6	Panic mode enable	0=OFF, 1=ON
7	Not used	Not used

*The configuration value is a signed single byte number. This value may represent a value with no units or may represent a value such as time. 0 to 127 (decimal) represents 0 to 127 seconds of time. -128 to -1 (negative decimal numbers) represents 128 to 255 seconds as calculated by this formula.

Config value = desired time in seconds (or desired value) -256

For an example of 172 seconds: config value = 172 - 256 = -84 (decimal) or 0xAC (hex)

For Parameter 4, this value is the value that will be sent in a Basic Set command as a result from association to another device.

Compliances, specifications and availability are subject to change without notice.

Project Name:	Prepared By:
Project Number:	Date:
Catalog Number:	Type:

Table 5. Device Association Information

Association Groups for RF9501

Group 1	5 nodes maximum
Group 2 - 254	0 nodes maximum
Group 255	1 node maximum

Product Dimensions

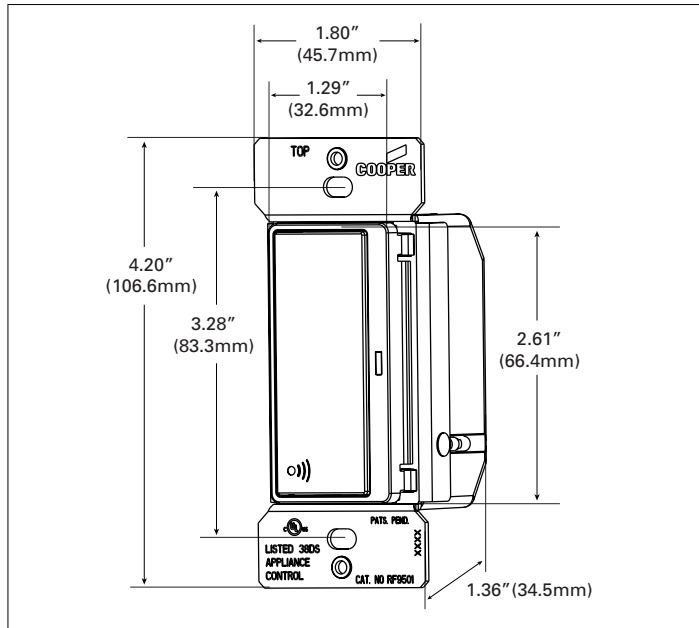
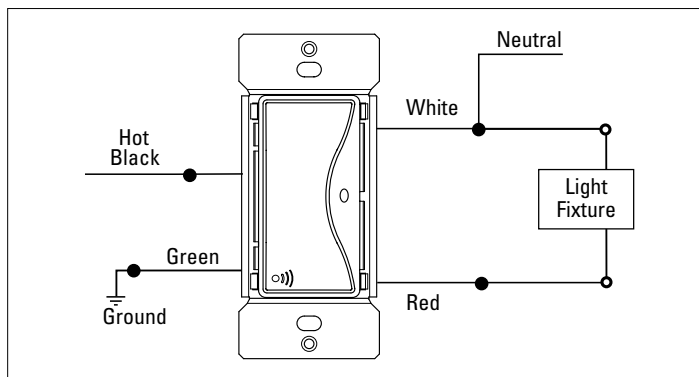
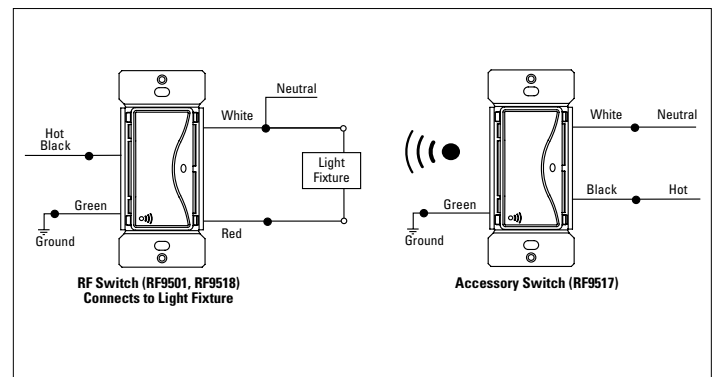


Figure 1. RF9501

Single-Pole Location Wiring Diagram



Multi-Location Wiring Diagram






Note: For multi-location control using the RF association function, use catalog no. RF9517.

Compliances, specifications and availability are subject to change without notice.

Project Name:	Prepared By:
Project Number:	Date:
Catalog Number:	Type:

Certifications & Compliances

Catalog No.			
RF9501	•	•	•

KEY:  cULus  NOM  FCC

Related Products

Aspire RF controllers



RFHDCSG, RFTDCSG, RFWC5WS

Aspire RF products



RF9540-NDW, RF9517DW, RFTR9505-T

Aspire products



9566TRWS, 9544DS, 9521WS

Compliances, specifications and availability are subject to change without notice.

Electrical Sector
203 Cooper Circle
Peachtree City, GA 30269
United States
Eaton.com
Cooperwiringdevices.com

Electrical Sector
Canada Operations
5925 McLaughlin Road
Mississauga, Ontario, L5R 1B8
Canada
EatonCanada.ca
Cooperwiringdevices.com

Electrical Sector
Mexico Operations
Carr. Tlalnepantla -
Cuautitlan Km 17.8 s/n
Col. Villa Jardin esq.
Cerrada 8 de Mayo
Cuautitlan, Mexico CP 54800
Mexico
Eaton.mx
Cooperwiringdevices.com

Eaton
1000 Eaton Boulevard
Cleveland, OH 44122
United States
Eaton.com

© 2014 Eaton
All Rights Reserved
Printed in USA
Publication No. E125-0125-14
February 2014