

Z-Wave wireless TR duplex receptacles

Project Name:	Prepared By:
Project Number:	Date:
Catalog Number:	Type:



RFTR9505-TAW



RFTR9505-TDS

Description

15A, 1/2 HP
120V/AC, 60Hz

Design features

- Provides Z-Wave control of one outlet leaving the other one for normal use
- Complies with 2011 NEC® section 406.12 specification that states all receptacles installed in dwelling units must be tamper resistant (dwelling units are defined in NEC® Article 210.52)
- Offers UL listed safety shutter system that prevents insertion of foreign objects into receptacle
- Ability to be controlled remotely by other Z-wave devices through association
- Patented built-in wire stripper for #14 and #12 wire to speed installation
- Electro-mechanical push button located at center of device for inclusion and ON/OFF operation
- Blue LED at center illuminates to indicate ON/OFF status
- Child lockout feature
- Single button programming
- All-ON/All-OFF inclusion
- Panic mode
- Patented indicator system alerts if receptacle is not set up in the network
- Configurable "power up state"

Table 1. Z-Wave wireless TR duplex receptacle

Catalog No.	Description	Amps	Color Suffix
<input type="checkbox"/> RFTR9505-T_	Split control tamper resistant duplex receptacle	15	AW, DS, SG, WS, BK

Compliances, specifications and availability are subject to change without notice.



Powering Business Worldwide

Effective September 2017

Project Name:	Prepared By:
Project Number:	Date:
Catalog Number:	Type:

Applications

The Z-Wave 15A split receptacle replaces regular receptacles to provide local and remote ON/OFF control of a single outlet. Moreover, the receptacle provides other programmable functions (scenes, events, association, child lockout, etc.) when used with Z-Wave compliant controllers. The receptacle can be manually and remotely controlled by commands sent from Z-Wave compatible controllers or programs. A Z-Wave receptacle utilizes existing 120 V/AC 60Hz standard house wiring and fits into a standard wallbox. No new wiring needed.

Table 2. Specifications

Catalog No.	Tamper resistant duplex receptacle RFTR9505-T
Performance	Maximum amperage for receptacle is 15A Rating: 120V/AC, 60Hz Horsepower rating: 1/2 HP (9.8A) Uses 300 Series Z-Wave Chip @ 40Kbs
Performance Consideration	A Z-Wave enabled device must be within 60 feet of another Z-Wave enabled device to participate in a Z-Wave wireless mesh network. Any one dimmer or switch can be associated with up to 5 devices (dimmers, switches, receptacles, or plug-in modules)
Installation & Programming	Please reference the Instruction Sheet included with the product for wiring installation. For programming of the device, see the User Manual, which is provided with compatible Z-Wave controller
Testing & Code Compliance	cULus Listed Appliance Control 38DS. NOM Certified. Complies with FCC Part 15, Class B. Z-Wave Compliant Certified
Terminations	Receptacles have three 6" pre-stripped wire leads for line, neutral and ground
Material Characteristics	Flammability: Meets UL94 requirements; V2 rated Temperature Rating: 32°F to 104°F (0°C to 40°C)
Warranty	2-year limited product warranty

Table 3. Color Ordering Information

For ordering devices, include Catalog No. followed by the Color Suffix: AW (Alpine White), DS (Desert Sand), Silver Granite (SG), WS (White Satin), BK (Black).

Designer series color options:



Product Dimensions

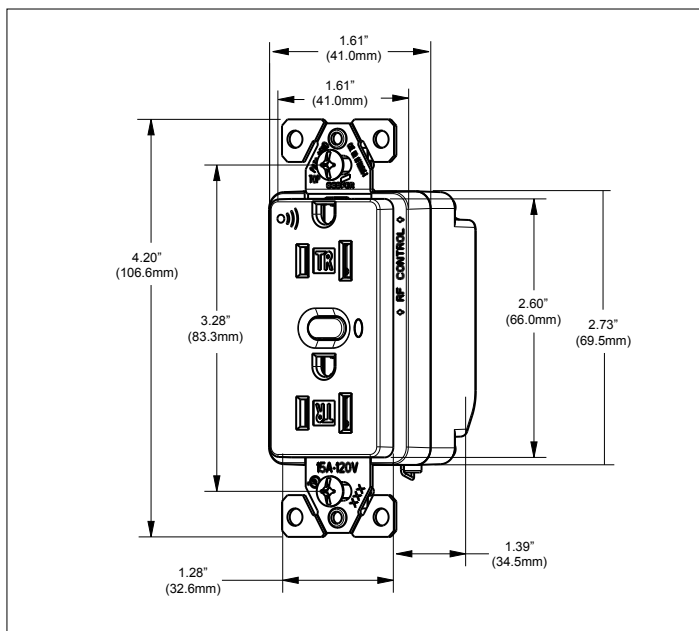
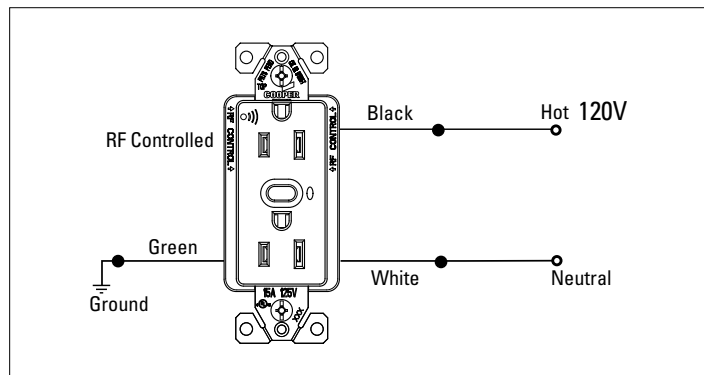


Figure 1. RFTR9505-T

Project Name:	Prepared By:
Project Number:	Date:
Catalog Number:	Type:

Single-Pole Location Wiring Diagram



Certifications & Compliances

Catalog No.	cULus	NOM 426	FC
RFTR9505-T	•	•	•

KEY: cULus cULus NOM 426 NOM FC FCC

Related Products

Z-Wave controllers



RFTDCSG, RFWC5WS

Z-Wave wireless products



RF9540-NDW, RF9501DW, RFTR9542-ZAW

Aspire products



9566TRWS, 9544DS, 9521WS

Compliances, specifications and availability are subject to change without notice.

Electrical Sector
203 Cooper Circle
Peachtree City, GA 30269
United States
Eaton.com
Eaton.com/wiringdevices

Electrical Sector
Canada Operations
5925 McLaughlin Road
Mississauga, Ontario, L5R 1B8
Canada
EatonCanada.ca
Eaton.com/wiringdevices

Electrical Sector
Mexico Operations
Carr. Tlalnepantla -
Cuautitlan Km 17.8 s/n
Col. Villa Jardin esq.
Cerrada 8 de Mayo
Cuautitlan, Mexico CP 54800
Mexico
Eaton.mx
Eaton.com/wiringdevices

Eaton is a registered trademark.

All other trademarks are property of their respective owners.