

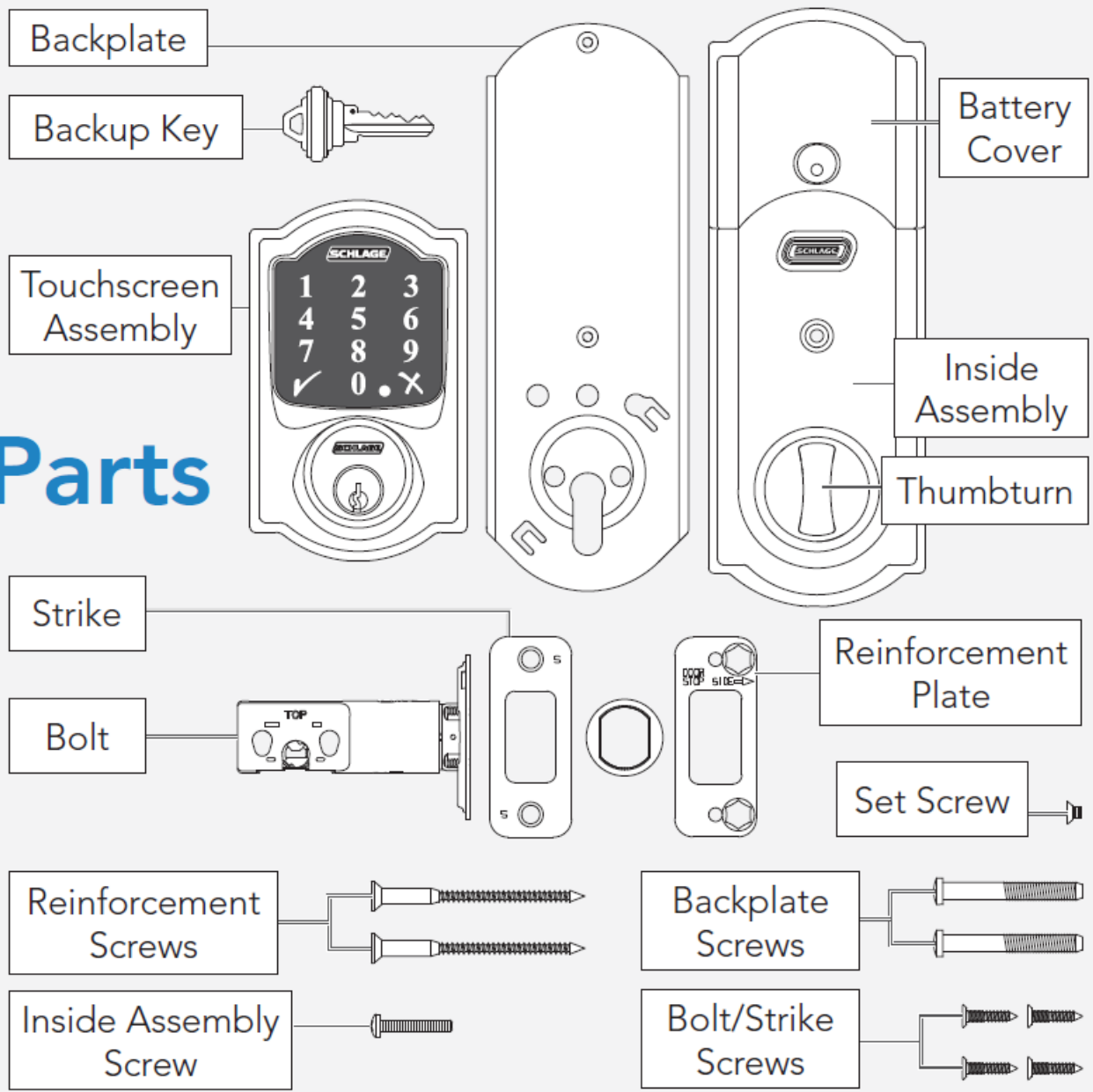


Schlage **Connect**TM

SMART DEADBOLT

Quick Start Guide

Parts



Interactive experience

For an improved installation experience, follow the link below or scan the QR code for online interactive instructions, warranty, and reference information.

<https://instructions.allegion.com/instr/86/2110>



Tools



Phillips screwdriver
Don't use a power drill!

Support



U.S.A.: 888-805-9837
Canada: 800-900-4734
Mexico: 018005067866

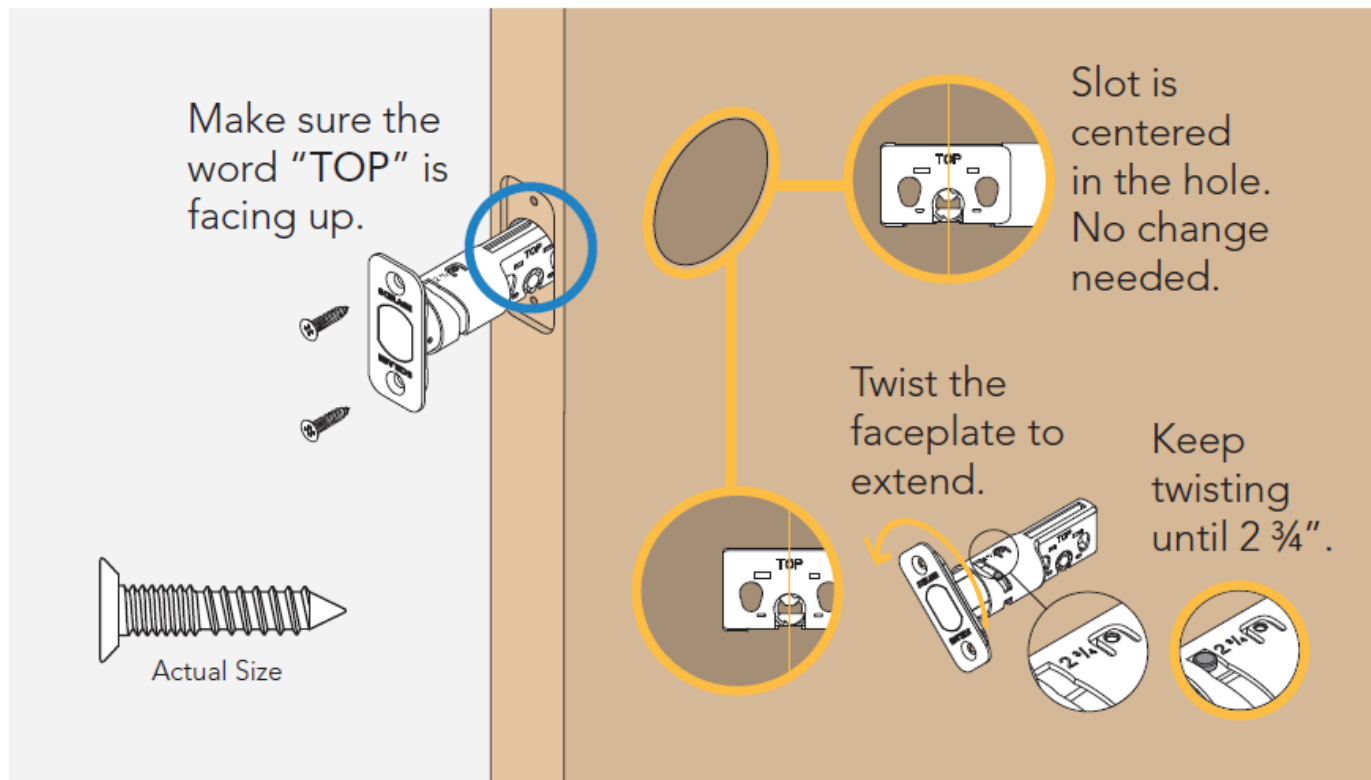
step
1

Need Help?

See "Help with Step 1" in the online instructions. The link is on the back cover or the third page of this guide.

Install the bolt.

You may have to adjust your bolt length. Make sure the slot in the bolt is centered in the hole.



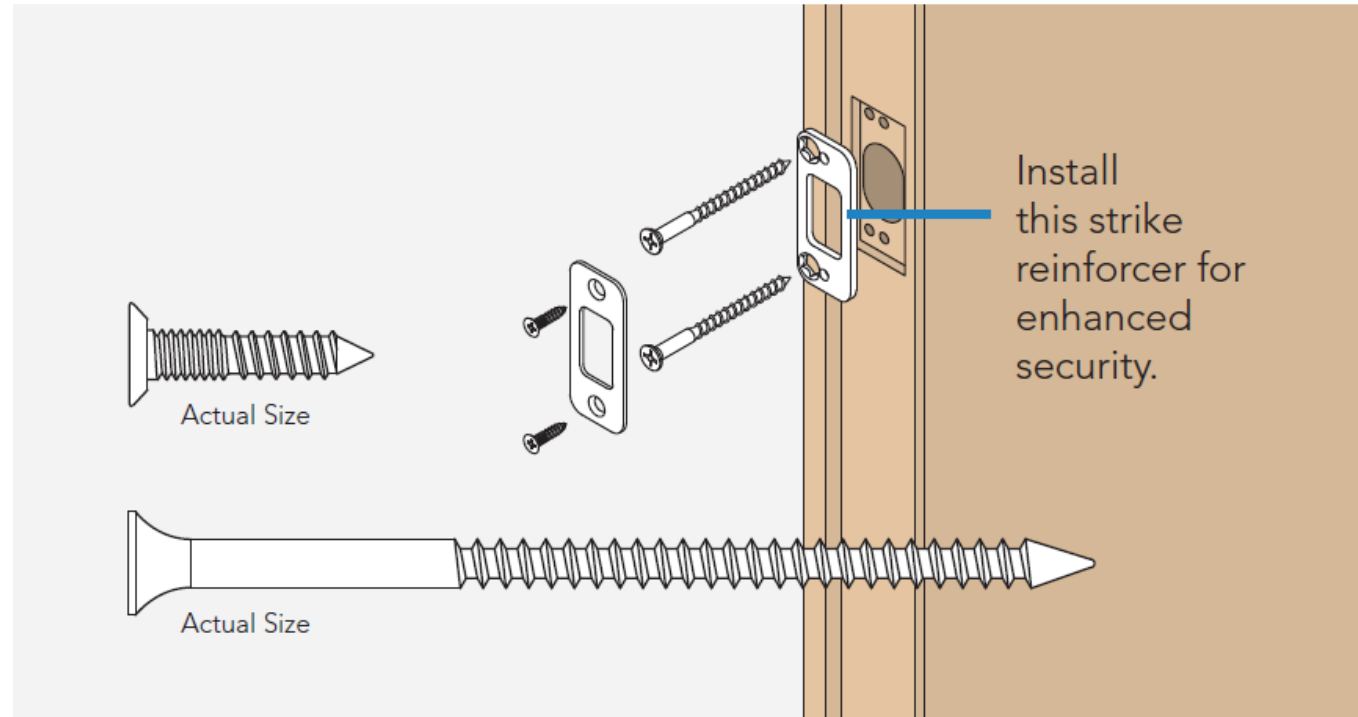
step
2

Need Help?

Trouble installing the strike reinforcer? See "Help with Step 2" in online instructions.

Install the strike into the door frame.

If you have a window next to your door, you may not be able to use the longer wood screws to install the reinforcer.

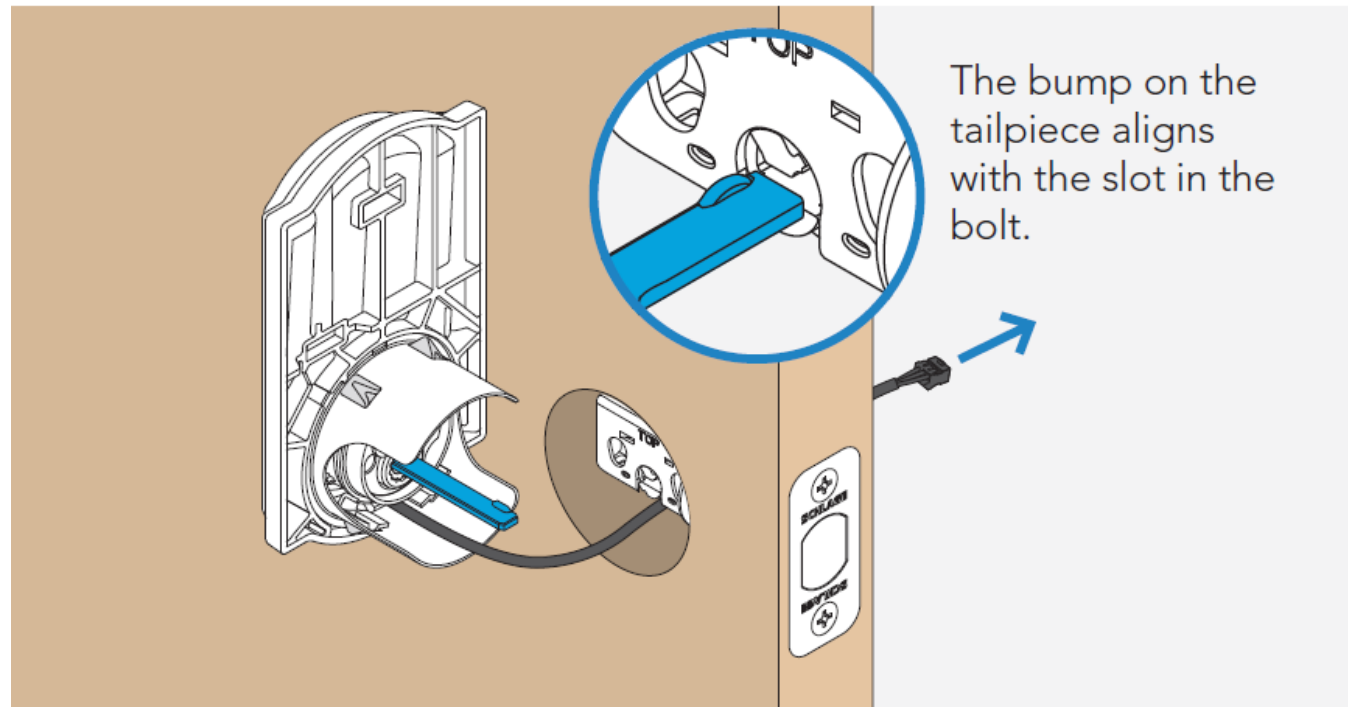


step
3

Is it hard to install the touchscreen?
Is the tailpiece not installing correctly?
If the hole through your door seems too small, you may need to remove the spacer. See the online instructions.

Install the touchscreen.

Route the cable through the door **BELOW** the bolt. Align the tailpiece as shown and push the touchscreen onto the door.



step
4



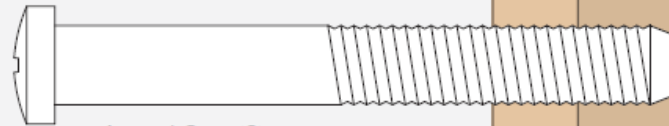
Phillips screwdriver

Don't use a power drill!

You may damage your lock!

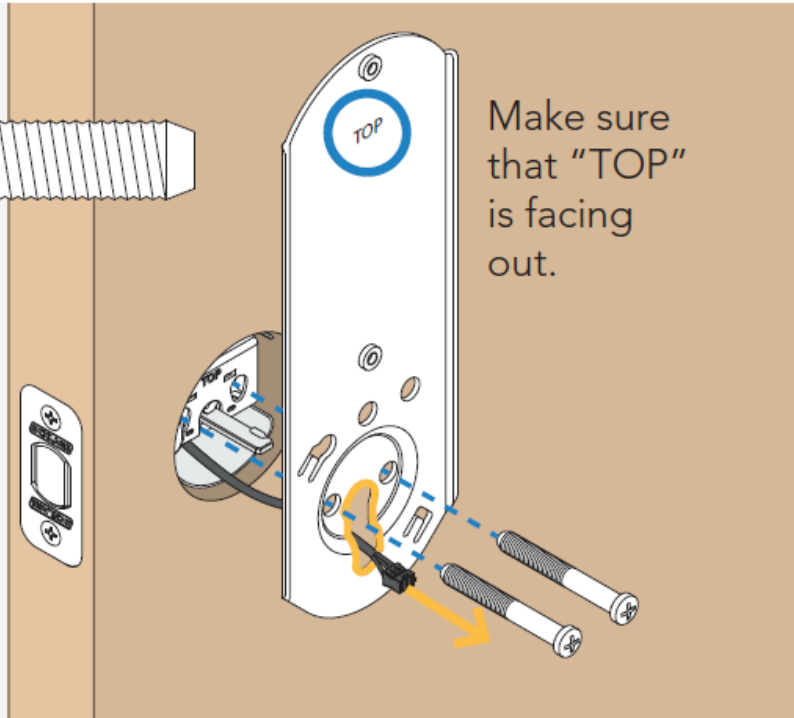
Install the inside backplate.

Route the cable below the bolt and through the hole on the bottom of the backplate. Secure the backplate with screws.



Actual Size (2)

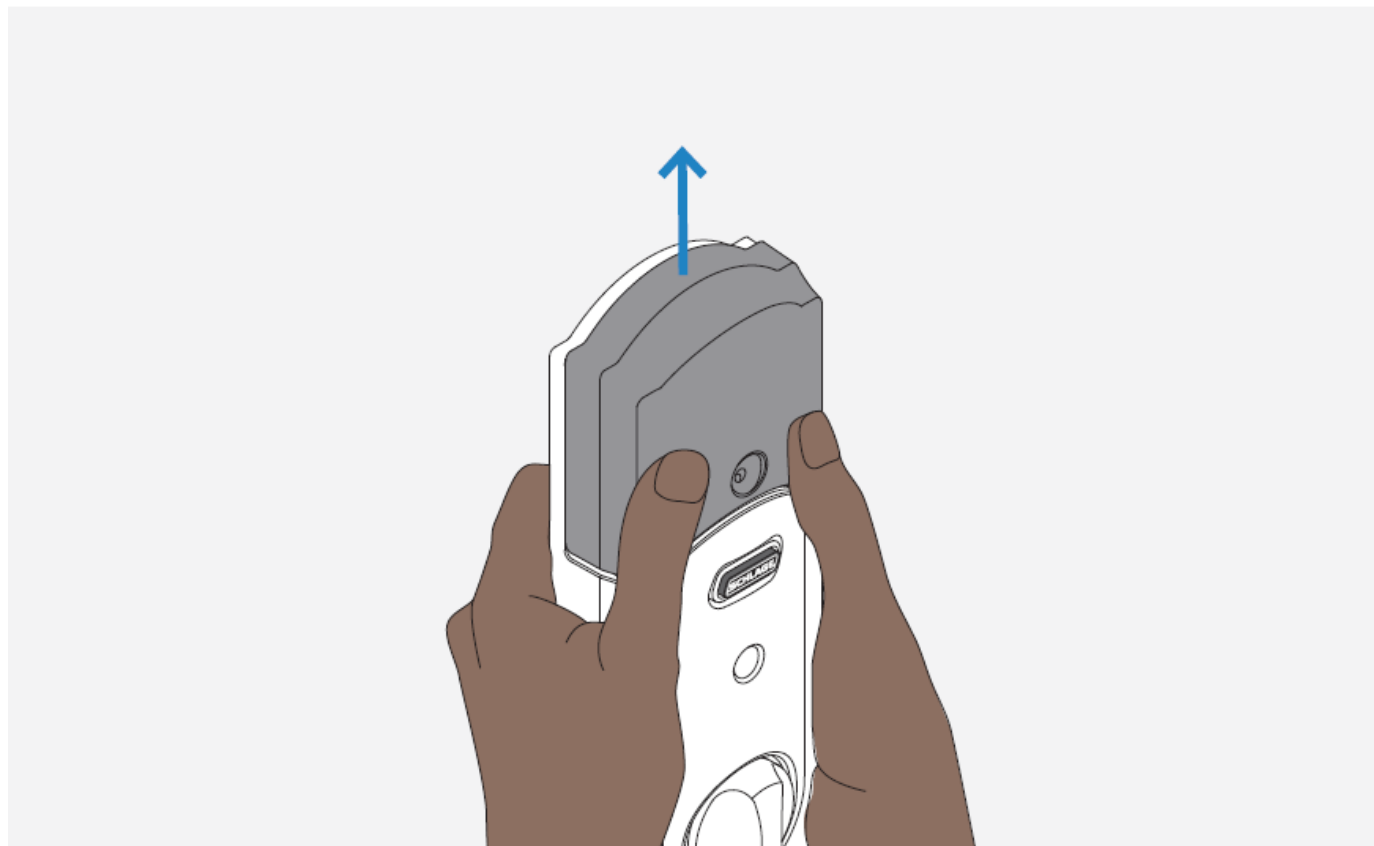
Hold the touchscreen on the outside of the door while you tighten the screws.



Make sure that "TOP" is facing out.

step
5

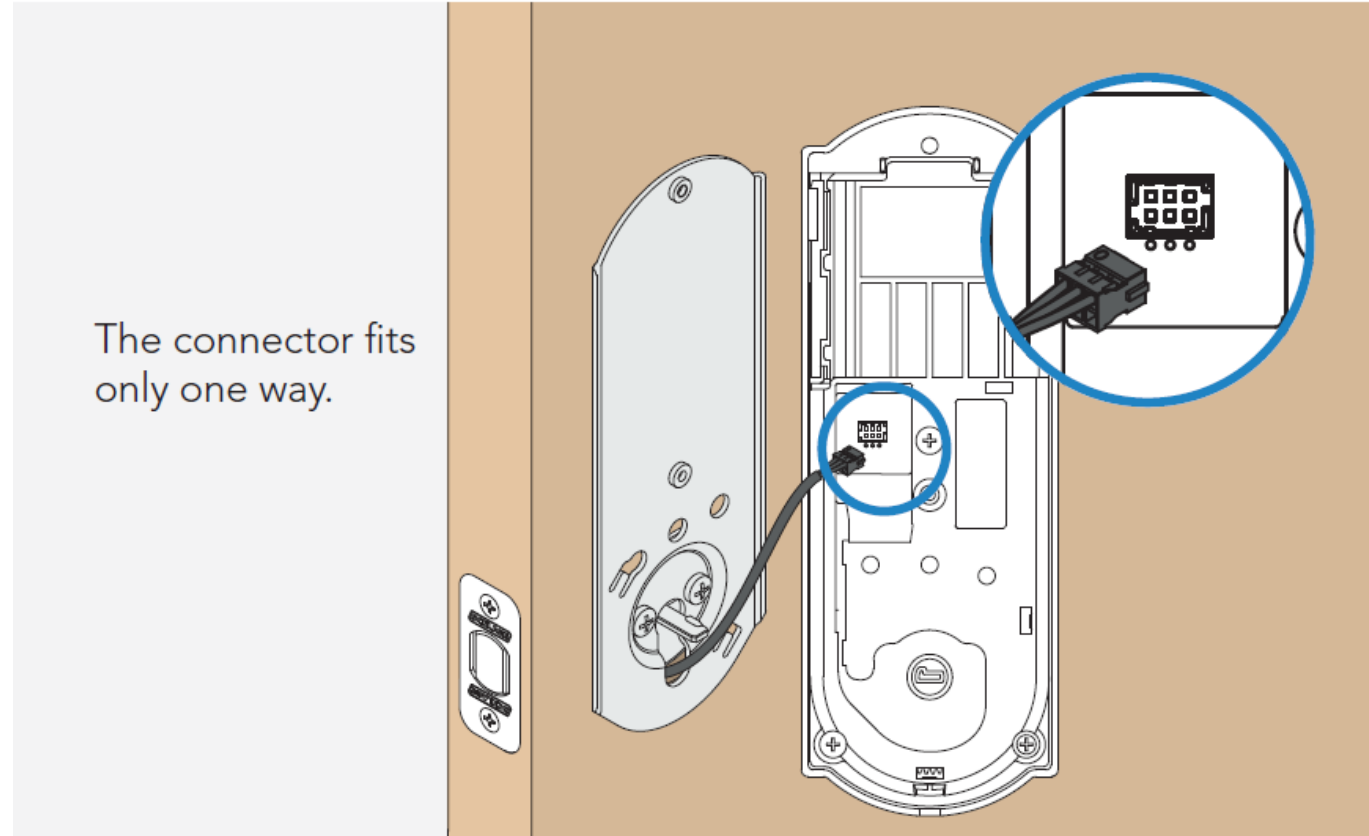
Take off the battery cover.



step
6

Connect the cable.

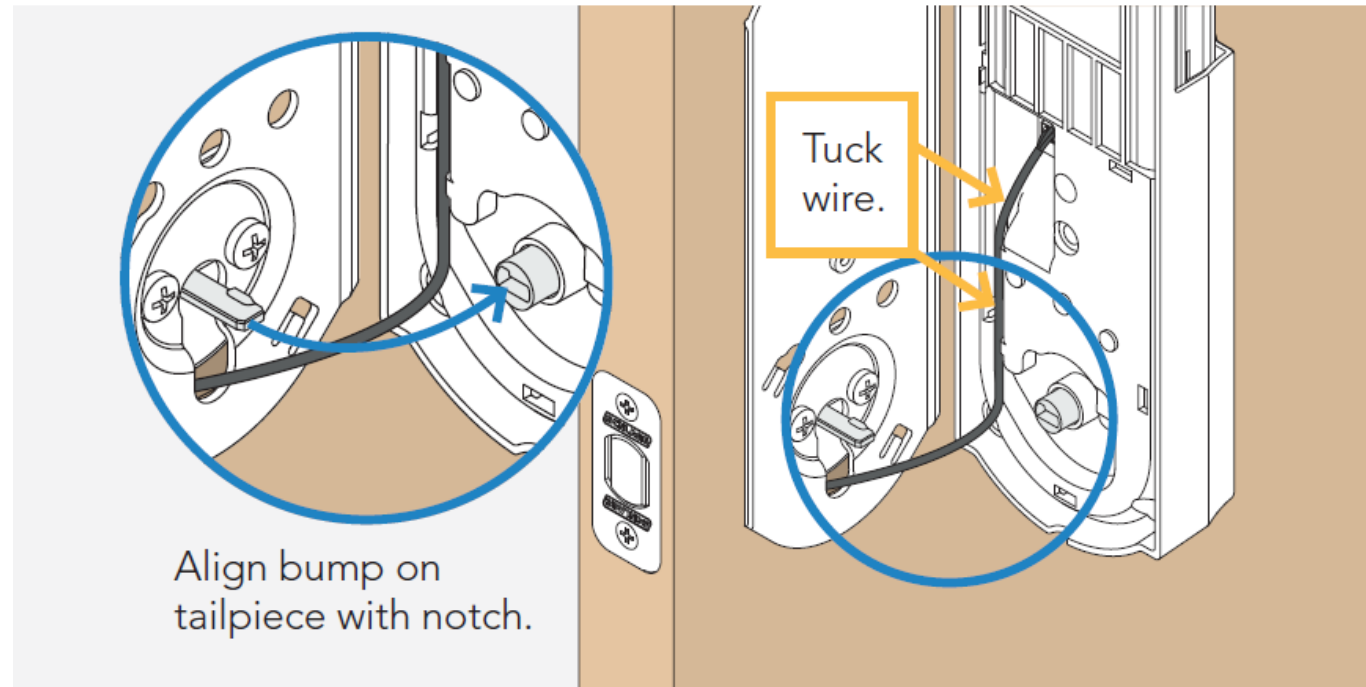
The connector fits
only one way.



step
7

Secure the lock to the door.

If the bump on the tailpiece doesn't align with the slot in the back of the inside assembly, make sure your thumbturn is vertical (up and down). Tuck the wire into the channel.



step
8



Phillips screwdriver
Don't use a power drill!
You may damage your lock!

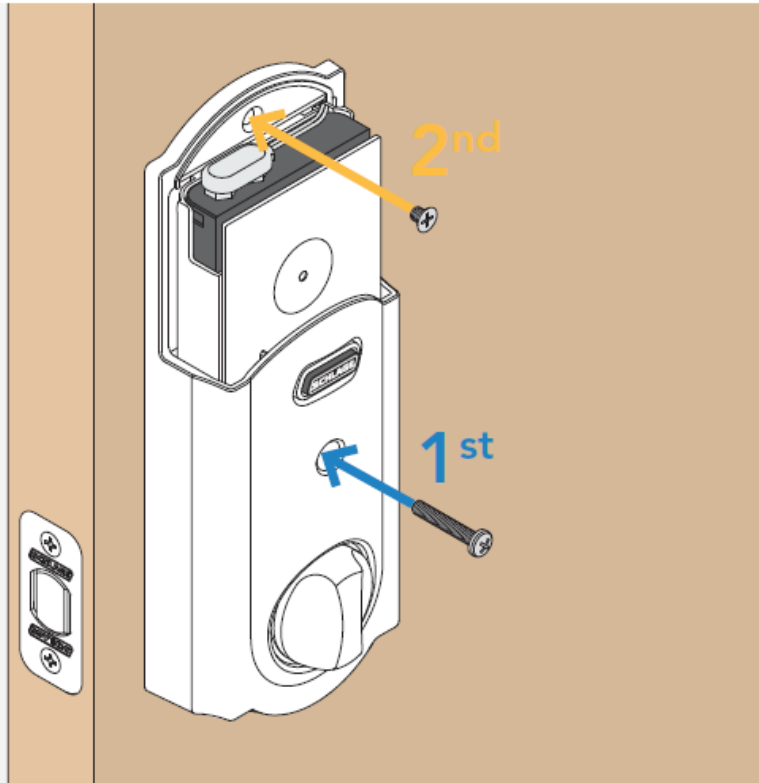
Install the screws.
Install the lower screw first.



Actual Size

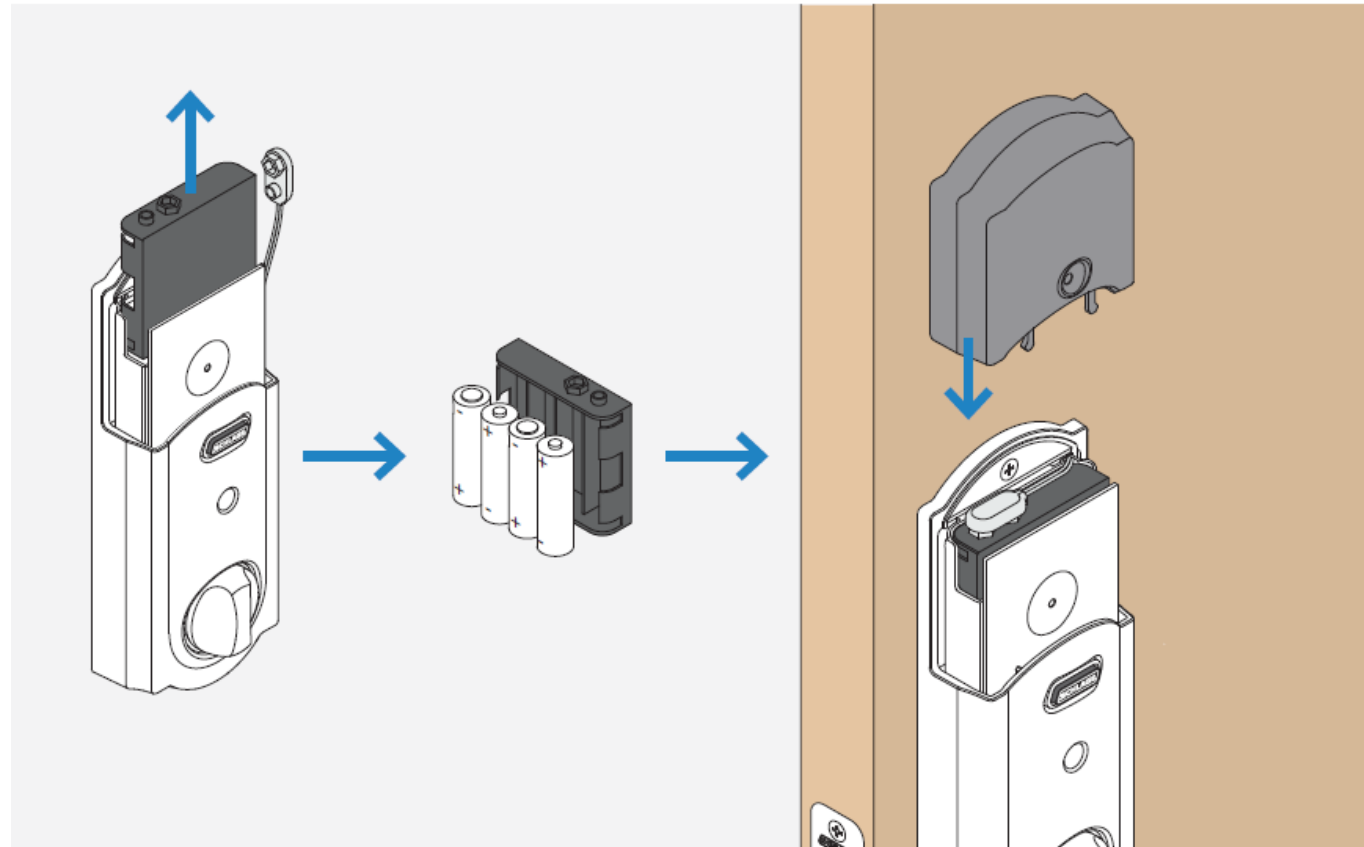


Actual Size



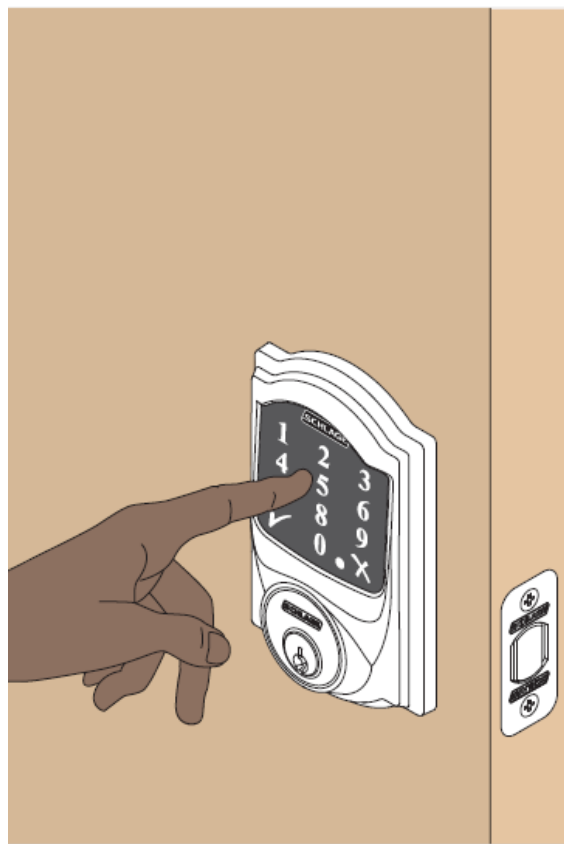
step
9

Install batteries and slide the cover on.



step
10

Set up your lock.



1. Open your door!
2. Enter one of the two default user codes.
The codes are located on the back of this guide and on the back of the inside assembly. You need to remove the inside assembly to see the label.
3. Your lock will enter a setup routine.

When the bolt stops moving, setup is complete.

step
11

Need Help?

If the bolt doesn't extend or retract during testing, see the online instructions and make sure spindle is aligned properly.

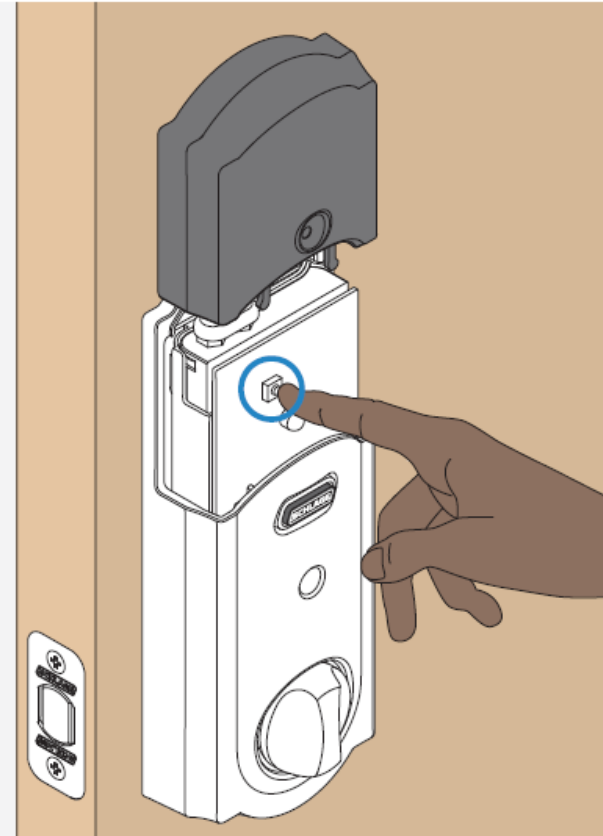
Test your lock.

1. Close your door.
2. Extend and retract the bolt using the inside thumbturn.
3. Make sure the bolt retracts smoothly. If it doesn't your door and frame may not be aligned.
4. Open your door.
5. Extend the bolt using the inside thumbturn.
6. Now enter a user code at the touchscreen to check that the bolt retracts.

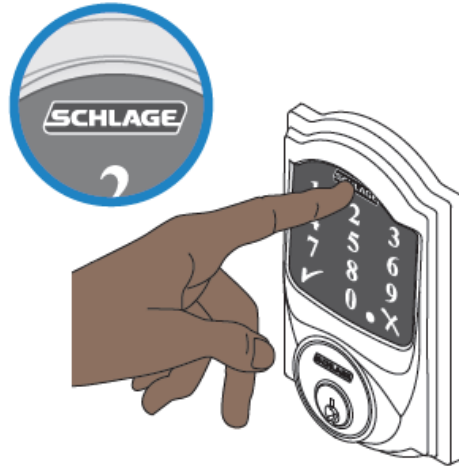
step
12

Enroll your lock.

1. Place your smart home system or panel into enrollment mode (see documentation for that device for details).
2. Remove the battery cover.
3. Press then release button.
4. A yellow flashing light indicates enrollment is in progress.
5. A solid green light indicates successful enrollment.
 - ❗ A red light indicates an enrollment issue, try repeating steps 1-3.

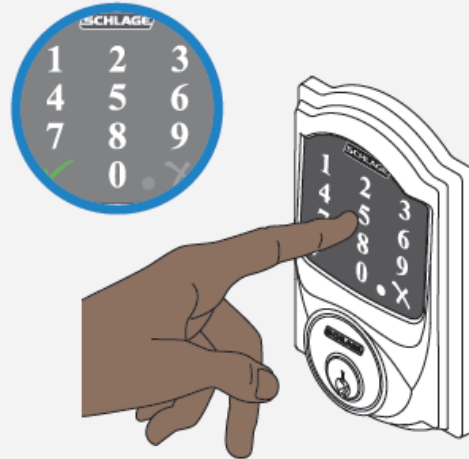


Lock and unlock



To lock your door just tap the **SCHLAGE** logo.

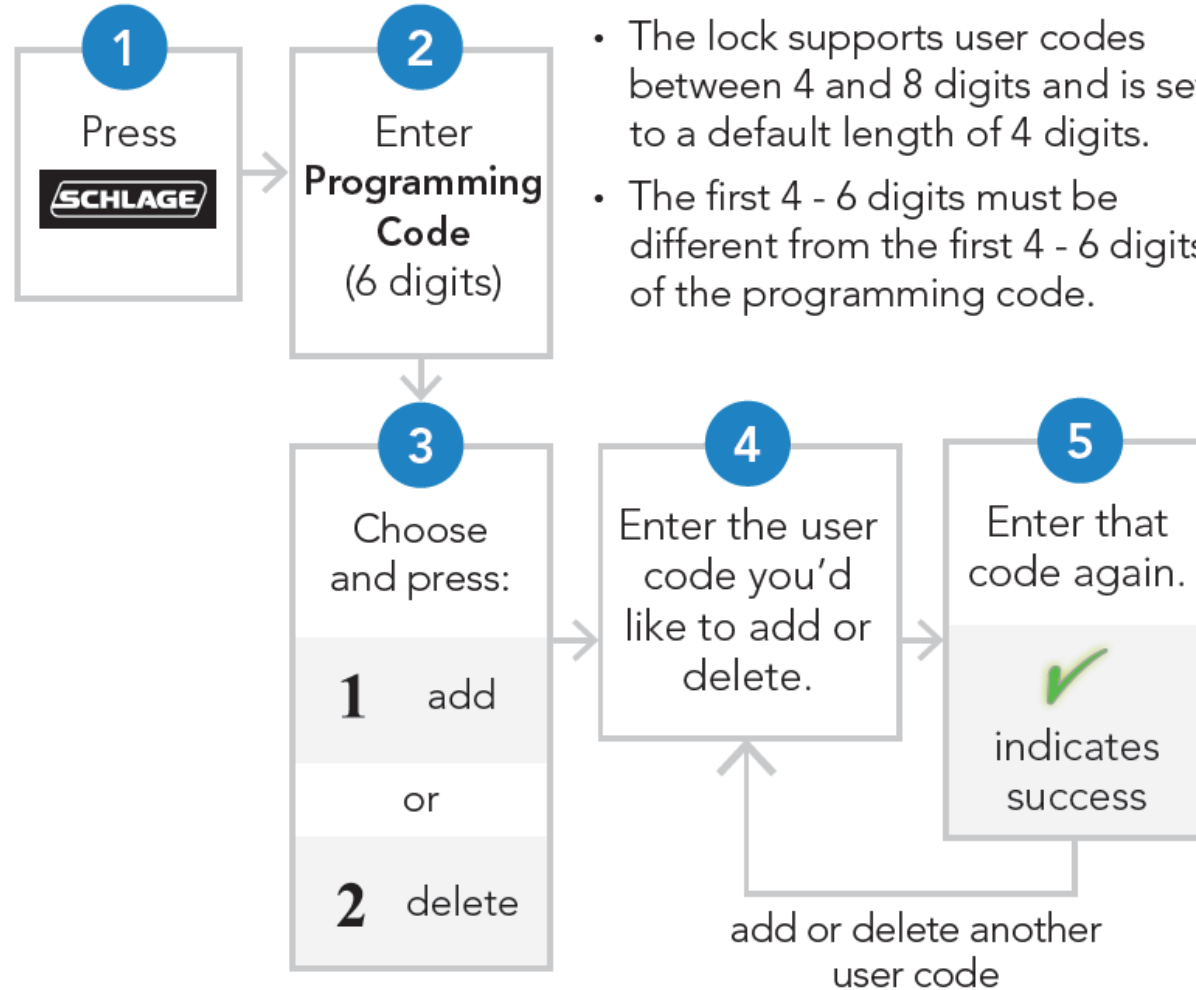
You can also lock your door by entering a user code while the door is closed or by turning the thumbturn toward the door edge.



To unlock your door enter a user code.

You can also unlock your door from inside by turning the thumbturn away from the door edge.

Add and delete codes



Save this guide!

PLACE LABEL
HERE

PLACE LABEL
HERE



Access step-by-step
instructions and help.

[https://instructions.
allegion.com/
instr/86/2110](https://instructions.allegion.com/instr/86/2110)



ALLEGION

© Allegion 2018
Printed in U.S.A.
P518-669 Rev. 06/18-b



P518-669

Add your Connect Z-Wave Plus lock to a smart home system

Once your controller is in "Add" mode, press the button on the lock as shown below. If required, enter the 5 digit DSK Code to the controller app whenever it is requested.



A yellow light will flash, then turn green when your lock has been successfully added.

A red light indicates there was a problem adding your lock - try repeating the steps again.

Information about DSK Codes

Some home automation systems require a 5 digit DSK Code to Add the lock.

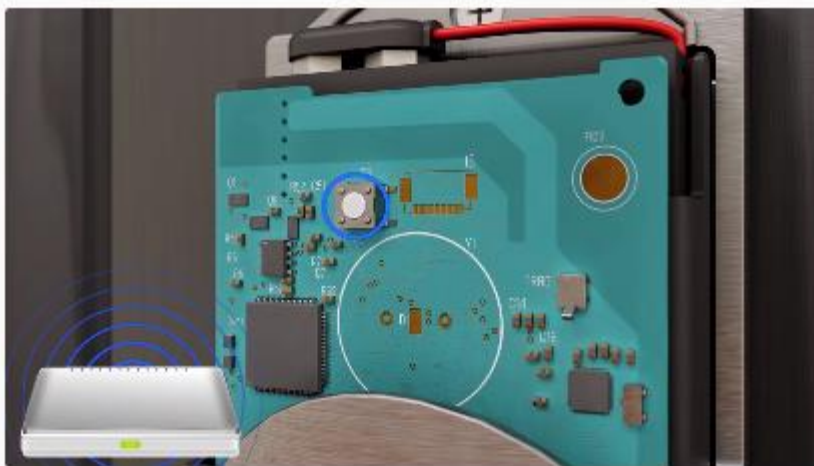
The DSK Code for your lock can be found on a label on the mounting plate or on the Quick Start Guide.



Remove your Lock from a Smart Home system

First put your controller into "Remove" mode, then remove your Schlage Connect lock as shown below.

Remove the battery cover, then press the button (as shown below) to start the process.



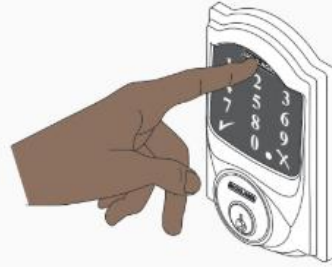
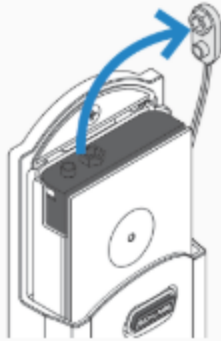
A yellow light will flash, then blink green 3 times when your lock has been successfully removed.

A red light indicates there was a problem removing your lock - try repeating the steps again.

Factory Default Reset

If you have forgotten your programming code, you can restore the default codes. If you want to move the lock to a different door, you need to restore default settings. Move the lock to the new door, and then set it up again.

Use this procedure only when the network primary controller is missing or otherwise inoperable.



2

Press and hold down the **SCHLAGE** logo. While you are pushing the logo, reconnect your batteries.



3

Test your lock with one of your default codes, located on the back of this guide.

Association Information

Association Group	Nodes	Commands
Group1 Lifeline	[2]	<ol style="list-style-type: none">1. Battery Report – Every 24 Hrs. from power up for Normal Battery condition and on every Electronic Operation of the lock in Low Battery condition.2. Configuration Report – Any Change in the Lock Configuration3. Device Reset Locally Report – When the Lock is Factory Reset4. Notification Report– On every Notification sent5. User Code Report – Any User Code updates6. Door Lock Report – On Lock operation

Configuration Parameters

Table 1 - Supported Z-Wave Configuration Parameters

Parameter	Description	Read / Write	Size (bytes)	Byte	Value (hex)	Value (decimal)	Value Description	Association	
Hex: 0x03 Decimal: 3	Beeper	R/W	1	1	0x00	0	Disable Beeper	Yes	
					0xFF	-1	Enable Beeper (default)		
Hex: 0x04 Decimal: 4	Vacation Mode	R/W	1	1	0x00	0	Disable Vacation Mode (default)	Yes	
					0xFF	-1	Enable Vacation Mode		
Hex: 0x05 Decimal: 5	Lock & Leave	R/W	1	1	0x00	0	Disable Lock & Leave	Yes	
					0xFF	-1	Enable Lock & Leave (default)		
Hex: 0x06 Decimal: 6	User Slot Bit Field (Occupied slots)	R	4	1 – 4	0x00000000 – 0x3FFFFFFF	0 – 3	0 – 1,073,741,823	User slots 1 – 30 This parameter is best used and understood in hexadecimal (default: 0x03 or 3)	No
				1	0x00 – 0xFF	-128 – 127	User slots 8 – 1 (MSB – LSB) 8,7,6,5,4,3,2,1		
				2	0x00 – 0xFF	-128 – 127	User slots 16 – 9 (MSB – LSB) 16,15,14,13,12,11,10,9		
				3	0x00 – 0xFF	-128 – 127	User slots 24 – 17 (MSB – LSB) 24,23,22,21,20,19,18,17		
				4	0x00 – 0x3F	0 – 63	User slots 30 – 25 (MSB – LSB) N/A, N/A,30,29,28,27,26,25		
Hex: 0x07 Decimal: 7	Lock Specific Alarm Mode (BE469ZP only)	R/W	1	1	0x00	0	Alarm off (default)	Yes	
					0x01	1	Alert		
					0x02	2	Tamper		
					0x03	3	Forced Entry		
Hex: 0x08 Decimal: 8	Lock Specific Alarm Alert Sensitivity (BE469ZP only)	R/W	1	1	0x01	1	Most sensitive	Yes	
					0x02	2			
					0x03	3	Medium sensitivity (default)		
					0x04	4			
					0x05	5	Least sensitive		
Hex: 0x09 Decimal: 9	Lock Specific Alarm Tamper Sensitivity (BE469ZP only)	R/W	1	1	0x01	1	Most sensitive	Yes	
					0x02	2			
					0x03	3	Medium sensitivity (default)		
					0x04	4			
					0x05	5	Least sensitive		

Configuration Parameters

Table 1 - Supported Z-Wave Configuration Parameters

Parameter	Description	Read / Write	Size (bytes)	Byte	Value (hex)	Value (decimal)	Value Description	Association
Hex: 0x0A Decimal: 10	Lock Specific Alarm Kick Sensitivity (BE469ZP only)	R/W	1	1	0x01	1	Most sensitive	Yes
					0x02	2		
					0x03	3	Medium sensitivity (default)	
					0x04	4		
					0x05	5	Least sensitive	
Hex: 0x0B Decimal: 11	Lock Specific Alarm Disable— Local Controls (BE469ZP only)	R/W	1	1	0x00	0	Disable Local Control (Disables local alarm on/off, mode change, sensitivity changes)	No
					0xFF	-1	Enable Local Control (Enables local alarm on/off, mode change, sensitivity changes) (default)	
Hex: 0x0C Decimal: 12	Get Electronic Transition Count	R	4	1 – 4	0x00000000 0 – 0x7FFFFFFF	0 – 2,147,483,647	Electronic Transition Count – A transition is locked to unlocked or unlocked to locked (default: 0)	No
Hex: 0x0D Decimal: 13	Get Mechanical Transition Count	R	4	1 – 4	0x00000000 0 – 0x7FFFFFFF	0 – 2,147,483,647	Mechanical Transition Count – A transition is locked to unlocked or unlocked to locked (default: 0)	No
Hex: 0x0E Decimal: 14	Get Electronic Failed Count	R	4	1 – 4	0x00000000 0 – 0x7FFFFFFF	0 – 2,147,483,647	Electronic Failed count – each failed attempt increments this count by one (default: 0)	No
Hex: 0x0F Decimal: 15	Auto Lock	R/W	1	1	0x00	0	Disable Auto Lock (default)	Yes
					0xFF	-1	Enable Auto Lock	
Hex: 0x10 Decimal: 16	User Code PIN Length	R/W	1	1	0x04 – 0x08	4 – 8	User Code PIN length, a value between 4 and 8 (default: 4)	Yes
Hex: 0x11 Decimal: 17	Get Electrical High Preload Transition Count	R	4	1 – 4	0x00000000 0 – 0x7FFFFFFF	0 – 2,147,483,647	Electronic High Preload Transition Count – a subset of 0x0C above – transitions that occurred with high preload (default: 0)	No
Hex: 0x12 Decimal: 18	Get Bootloader Version	R	1	1	0x00 – 0x7F	0 – 127	Get the version of the bootloader (default: 1)	No