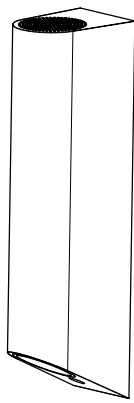




S2 MULTISIREN
ZSE19



www.getzooz.com
ask@getzooz.com

All brand names displayed are trademarks of their respective holders. © Zooz 2018

FEATURES

- Audio and visual alarm triggered by other Z-Wave devices
- Configurable siren alarm duration
- Built-in temperature and humidity sensor (if Multilevel Sensor is supported)
- Audio Speaker for custom sound playback (if Sound Switch is supported)
- S2 security protocol and the latest 500 Z-Wave chip for faster and safer wireless communication
- Tamper protection, low-battery alerts

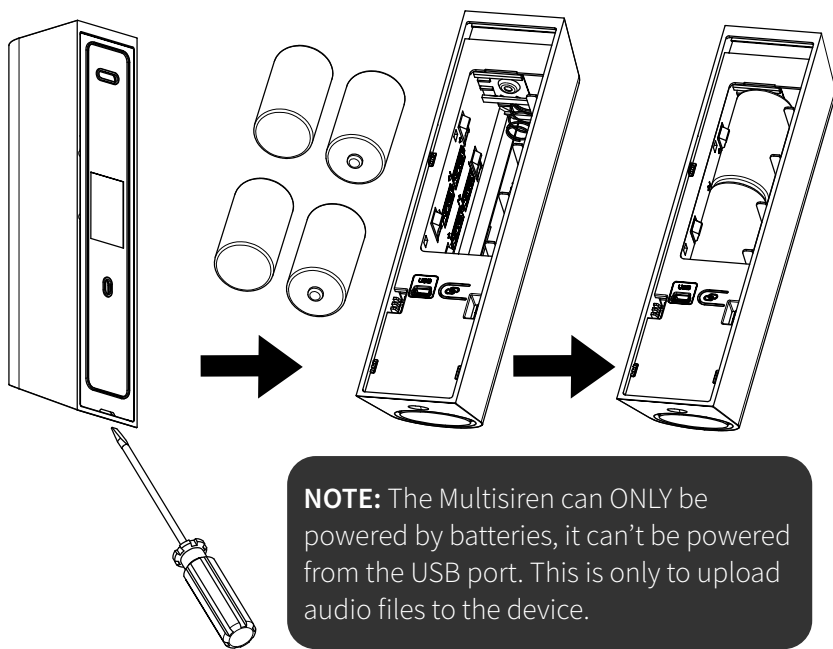
SPECIFICATIONS

- Model Number: ZSE19
- Z-Wave Signal Frequency: 908.42 MHz
- Power: 4 x LR14 (C Cell) battery
- Range: Up to 100 feet line of sight
- Operating Temperature: 14-104° F (-10-40° C)
- Operating Humidity: 0-80%
- Installation and Use: Indoor only

INSTALLATION

1. INSTALL THE BATTERIES

Locate the opening slot on the bottom of the back cover. Gently lift the cover and remove it to access the battery compartment. Follow the orientation marks and insert the 4 batteries included in the box.



NOTE: The Multisiren can ONLY be powered by batteries, it can't be powered from the USB port. This is only to upload audio files to the device.

The LED indicator will start blinking and the Multisiren will enter auto-inclusion mode for 30 seconds. It's now ready to be added to your hub.

⚠ WARNING

- This product should be installed indoors upon completion of any building renovations.

- Prior to installation, the device should be stored in a dry, dust-and-mold-proof place.
- Do not install the device in a place with direct sun exposure, high temperature, or humidity.
- Keep away from chemicals, water, and dust.
- Ensure the device is never close to any heat source or open flame to prevent fire.
- Ensure the device is connected to an electric power source that does not exceed the maximum load power.
- No part of the device may be replaced or repaired by the user, except for the batteries.

Z-WAVE CONTROL

1. ADD DEVICE to your hub (AUTO INCLUSION)

Initiate inclusion (pairing) in the app (or web interface). Not sure how? ask@getzooz.com
If you're using an S2 hub, it may ask you to enter the DSK key printed on the back cover sticker to complete secure inclusion.



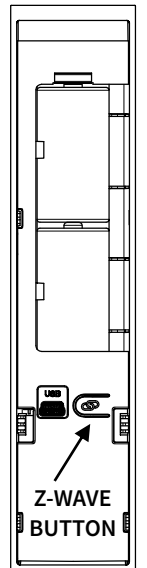
2. POWER the siren

Insert the batteries as instructed above (if you already did, take them out for at least 15 seconds before starting the inclusion process). The LED indicator will start blinking and the Multisiren will join the network automatically.

MANUAL INCLUSION

Put your Z-Wave hub into inclusion mode and **click the Z-Wave button 3 times** quickly.

Get step-by-step instructions for adding the siren to **SmartThings, Vera,** and other hubs at www.support.getzooz.com



TROUBLESHOOTING

The Multisiren won't add to your system? Try this:

1. Initiate **EXCLUSION** and click the Z-Wave button 3 times quickly.
2. Click the Z-Wave button **4-5 times quickly** when adding it or try adding it in a **non-secure** mode.
3. Bring the Multisiren **closer** to your hub, it may be out of range.
4. Double-check if the device is powered.

EXCLUSION (REMOVING / UNPAIRING DEVICE)

1. Bring the Multisiren within direct **range** of your Z-Wave gateway (hub).
2. Put the Z-Wave hub into **exclusion** mode (not sure how to do that? ask@getzooz.com).
3. Click the **Z-Wave button** on the Multisiren **3 times** quickly to finalize the process.
4. Your hub will confirm exclusion and the device will disappear from your controller's device list.

FACTORY RESET

If your primary controller is missing or inoperable, you may need to reset the device to factory settings. To complete the reset process manually, make sure the Multisiren is powered, then **CLICK-CLICK-CLICK-CLICK'N'HOLD the Z-Wave button for AT LEAST 5 SECONDS**. The LED indicator will flash to confirm successful reset.

NOTE: All previously recorded activity and custom settings will be erased from the device's memory.

ADVANCED SETTINGS

Please refer to your controller's user guide for advanced programming instructions as they are a little different for every software.

Not sure where to start? Go to www.support.getzooz.com for detailed instructions how to change the settings on SmartThings, Vera, and more. Or just email us: ask@getzooz.com

This Multisiren supports Group 1 with up to 5 devices for lifeline communication. This device will send the following information to Group 1:

- **Notification Report** when it's powered or when the tamper is triggered
- **Battery Report** when battery drops or is getting low
- **Device Reset Locally Notification** after factory reset
- **Switch Binary Report** when siren is triggered or when it stops
- **Multilevel Sensor Report** for temperature and humidity data

CUSTOMIZE YOUR MULTISIREN

Siren Alarm Duration

Parameter 1: Choose how long you want the siren alarm to last for once it's triggered. The number entered as value corresponds to the number of **seconds**.

Values: 10-600; 180 (seconds) – default value.

Size: 2 byte dec.

Temperature and Humidity Reporting Interval

Parameter 2: Choose how often you want the Multisiren to report temperature and humidity readings to the hub. The number entered as value corresponds to the number of **minutes**. Frequent reports will decrease battery life.

Values: 1 – 1440; 30 (minutes) – default value.

Size: 2 byte dec.

Custom Sound Selection for Audio Speaker*

Parameter 3: Enable one of the custom sounds in the audio file library. The number entered as value corresponds to the file number in the library (see below for more details).

Values: 0 – 99; 0 – pause (default value).

Size: 1 byte dec.

*Audio Speaker is an optional feature enabled by the brand new Sound Switch command class. This feature is **separate from the siren alarm** (the sound or volume of the siren can't be adjusted) and once fully enabled, it allows you to play different sounds from the library based on different Z-Wave triggers and events. There's a good chance your gateway controller (hub) doesn't support this command class yet and you won't be able to use the Audio Speaker for now. But we've included it in the documentation so you know it's there once we finalize full integration with the major systems. If you have any questions just email us: ask@getzooz.com

How to manage the audio file library (for Audio Speaker only)

1. Plug the Multisiren to your computer/laptop using the mini USB port.
2. Follow the prompts on the screen to run the manager.
3. Use the file navigation menu on the left to locate your file source.
4. Select the files you want to upload to the Multisiren. Accepted formats:
 - **.wav files in Mono only** (you need to convert any Mp3's)
 - Sample rate: 8KHz – 32KHz
 - Max length per file: 30 seconds (total max length of all files: 85 sec.)
5. Click on the upload icon in the bottom left corner on the window.
6. Your library is now updated. You can use the up/down arrow icons to change the file order in the library. Note that the **no. 2 file** in the library is reserved for **tamper switch notification** playback.
7. Close the Library Manager software, remove the USB cable, and power cycle your Multisiren by taking one of the batteries out and reinserting it.

Get detailed instructions, including screenshots, on how to manage the library and to check if your hub supports the Audio Speaker functionality at support.getzooz.com

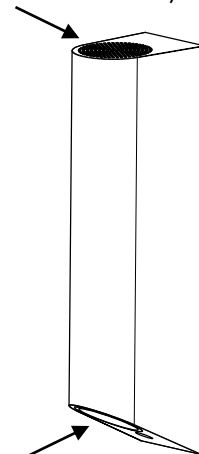


This product can be included and operated in any Z-Wave network with other Z-Wave certified devices from other manufacturers and/or other applications. All non-battery operated nodes within the network will act as repeaters regardless of vendor to increase reliability of the network. This product features the latest Security 2 (S2) framework to remove smart home network hacking risks. This device is equipped with a unique authentication code for trusted wireless communication.

This device requires the following **command classes** to be supported and recognized by your Z-Wave controller:

COMMAND_CLASS_ZWAVEPLUS_INFO_V2
 COMMAND_CLASS_ASSOCIATION_V2
 COMMAND_CLASS_ASSOCIATION_GRP_INFO
 COMMAND_CLASS_TRANSPORT_SERVICE_V2
 COMMAND_CLASS_VERSION_V3
 COMMAND_CLASS_MANUFACTURER_SPECIFIC_V2
 COMMAND_CLASS_DEVICE_RESET_LOCALLY
 COMMAND_CLASS_POWERLEVEL
 COMMAND_CLASS_SECURITY
 COMMAND_CLASS_SECURITY_2
 COMMAND_CLASS_SUPERVISION
 COMMAND_CLASS_FIRMWARE_UPDATE_MD_V2
 COMMAND_CLASS_BATTERY
 COMMAND_CLASS_NOTIFICATION_V4
 COMMAND_CLASS_SWITCH_BINARY
 COMMAND_CLASS_CONFIGURATION
 COMMAND_CLASS_SENSOR_MULTILEVEL
 COMMAND_CLASS_SOUND_SWITCH

AUDIO SPEAKER
(works with selected hubs)



SIREN ALARM
(works with most hubs)

MOUNTING

Mount the Multisiren in a vertical position around 6 feet from the ground on a flat surface, possibly away from large metal objects which could affect Z-Wave signal.

1. MARK HOLES

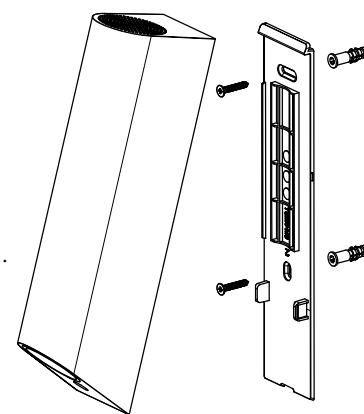
Use the back cover to mark 2 mounting holes on a dry clean surface.

2. INSTALL BACK COVER

Drill holes and use the supplied anchors and screws to fix the back cover to the wall.

3. MOUNT MULTISIREN

Slide the Multisiren down the back cover and push it in to secure in place.



WARRANTY

This product is covered under a 12-month limited warranty. To read the full warranty policy or file a warranty claim, please go to www.getzooz.com/warranty

IN NO EVENT SHALL ZOOZ OR ITS SUBSIDIARIES AND AFFILIATES BE LIABLE FOR ANY INDIRECT, INCIDENTAL, PUNITIVE, SPECIAL, OR CONSEQUENTIAL DAMAGES, OR DAMAGES FOR LOSS OF PROFITS, REVENUE, OR USE INCURRED BY CUSTOMER OR ANY THIRD PARTY, WHETHER IN AN ACTION IN CONTRACT, OR OTHERWISE EVEN IF ADVISED OF THE POSSIBILITY OF SUCH DAMAGES. ZOOZ'S LIABILITY AND CUSTOMER'S EXCLUSIVE REMEDY FOR ANY CAUSE OF ACTION ARISING IN CONNECTION WITH THIS AGREEMENT OR THE SALE OR USE OF THE PRODUCTS, WHETHER BASED ON NEGLIGENCE, STRICT LIABILITY, BREACH OF WARRANTY, BREACH OF AGREEMENT, OR EQUITABLE PRINCIPLES, IS EXPRESSLY LIMITED TO, AT ZOOZ'S OPTION, REPLACEMENT OF, OR REPAYMENT OF THE PURCHASE PRICE FOR THAT PORTION OF PRODUCTS WITH RESPECT TO WHICH DAMAGES ARE CLAIMED. ALL CLAIMS OF ANY KIND ARISING IN CONNECTION WITH THIS AGREEMENT OR THE SALE OR USE OF PRODUCTS SHALL BE DEEMED WAIVED UNLESS MADE IN WRITING WITHIN THIRTY (30) DAYS FROM ZOOZ'S DELIVERY, OR THE DATE FIXED FOR DELIVERY IN THE EVENT OF NONDELIVERY.

FCC NOTE

THE MANUFACTURER IS NOT RESPONSIBLE FOR ANY RADIO OR TV INTERFERENCE CAUSED BY UNAUTHORIZED MODIFICATIONS TO THIS EQUIPMENT. SUCH MODIFICATIONS COULD VOID THE USER'S AUTHORITY TO OPERATE THE EQUIPMENT. STORE INDOORS WHEN NOT IN USE. SUITABLE FOR DRY LOCATIONS ONLY. DO NOT IMMERSE IN WATER. NOT FOR USE WHERE DIRECTLY EXPOSED TO WATER.

This device complies with Part 15 of the FCC Rules.

Operation is subject to the following conditions:

1. This device may not cause harmful interference,
2. This device must accept any interference received, including interference that may cause undesired operation.

This equipment has been tested and found to comply with the limits for a Class B digital device, pursuant to part 15 of the FCC Rules.

These limits are designed to provide reasonable protection against harmful interference in a residential installation.

This equipment generates, uses and can radiate radio frequency energy and, if not installed and used according to instructions, may cause harmful interference to radio communications.

However, there is no guarantee that interference will not occur in any given installation.

If this equipment causes harmful interference to radio or television reception, the user may try to correct the interference by taking one or more of the following measures:

- Reorient or relocate receiving antenna
- Increase the separation between equipment and receiver
- Connect equipment into a separate outlet or circuit from receiver
- Consult the dealer or an experienced radio/TV technician for additional assistance.