

# GLASS BREAK DETECTOR

## INSTALLATION INSTRUCTIONS

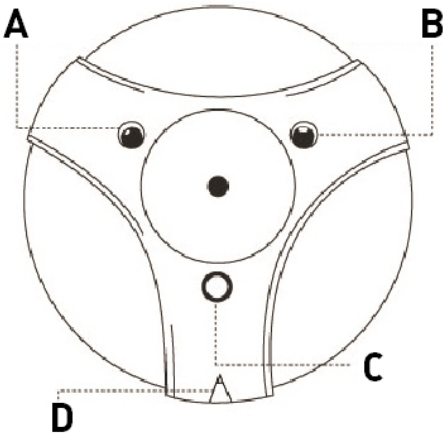
The 2GIG Glass Break Detector (2GIG-GB3-433) is a fully-supervised, tamper-protected, ceiling- or wall-mounted unit. It communicates with the control panel using the 433 MHz frequency. The detector provides a 15 ft (4.6 m) maximum detection range, 360° maximum horizontal sensing angle, and dual-stage glass break detection.

### Box Contents

Verify that the package includes the following:

- 1—Glass Break Detector (with Mounting Base)
- 2—Lithium Batteries
- 3—Plastic Wall Anchors with Screws

**Figure 1** LED Indicators



- A RED LED
- B GREEN LED
- C TEST button
- D Imprinted arrow (for alignment of cover and base)

### Inserting and Replacing the Batteries

To insert or replace the batteries:

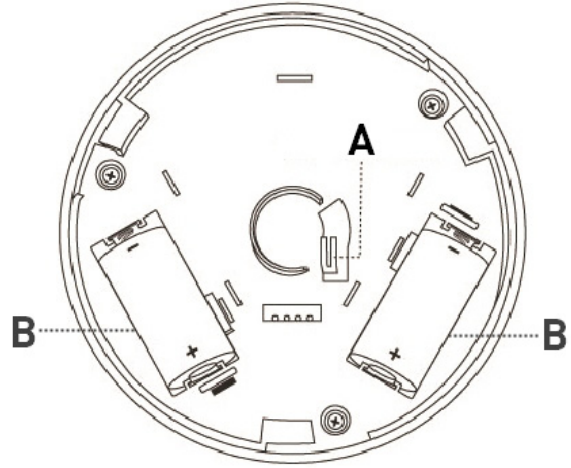
- 1 Unwrap the detector.
- 2 Holding the cover and base, twist the cover in a counter-clockwise motion. When the imprinted arrows on the side of the detector are aligned, separate the unit.
- 3 Remove the old batteries.

**IMPORTANT:** Always dispose and/or recycle used batteries in accordance with the hazardous waste recovery and recycling regulations for your location. Your city, state, or country may also require you to comply with additional handling, recycling, and disposal requirements.

- 4 Insert the batteries in the compartment. Always match the plus (+) sign on the battery with the flat side of the compartment and the minus (-) sign on the battery with the spring side of the compartment.

It takes approximately five (5) seconds for the detector to power ON.

**Figure 2** Glass Break Detector—Base



- A Tamper switch
- B Battery compartments (RED tabs located behind compartments)

**NOTE:** If closing the detector when batteries are not present, gently push the RED tabs on the backside of the base away from the detector (see *Figure 1* above).

- 5 Holding the cover, align the imprinted arrows on the detector and then twist the cover in a clockwise motion to close the unit.

**WARNING:** Failure to follow these warnings and instructions can lead to heat generation, rupture, leakage, explosion, fire, or other injury, or damage. Do not insert the battery into the compartment in the wrong direction. Always replace the battery with the same or equivalent type (see *"Specifications" on page 2*). Never recharge or disassemble the battery. Never place the battery in fire or water. Always keep batteries away from small children. If batteries are swallowed, promptly see a doctor.

### Wall Mounting

When wall mounted, the detector provides protection coverage on the opposite or adjacent window. Windows on the same wall as the detector are not protected.

To mount the detector to a wall:

- 1 If not already installed, insert the batteries (see *Inserting and Replacing the Batteries*).
- 2 With the cover off, place the base of the detector on the adjacent or opposite wall from the window being protected.
- 3 Use the three (3) Plastic Wall Anchors (provided) to mount the base of the detector to the wall.

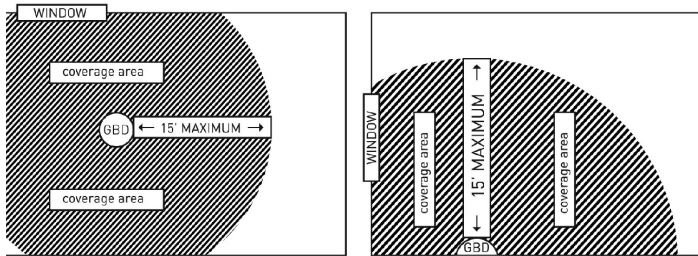
**IMPORTANT:** Always mount the detector so the **Test** button is in the downward position.

- 4 Holding the cover, align the imprinted arrows. Then use a clockwise twist motion to lock the cover into place.

## Glass Type and Thickness

The minimum size and shape for all glass types is 11 x 11 in (28 x 28 cm) square. Glass must be framed in the wall of the room or mounted in a 36 in (91 cm) barrier.

**Figure 3** Glass Type and Thickness



Type	Minimum to Maximum Thickness
Plate	1/8 - 1/4 in (3.2 - 6.4 mm)
Tempered	1/8 - 1/4 in (3.2 - 6.4 mm)
Sealed Insulating†	1/8 - 1/4 in (3.2 - 6.4 mm)

† Sealed insulating glass types are protected only if both plates of glass are broken.

## SPECIFICATIONS

Wireless Signal Range	300 ft (91.44 m), open air, with Wireless Control Panel
Code Outputs	Alarm; Alarm Restore; Tamper; Tamper Restore; Supervisory; Low Battery
Transmitter Frequency	433.92 MHz (crystal controlled)
Unique ID Codes	Over one (1) million different code combinations
Supervisory Interval	70 minutes
Sensor Type	Single microphone, dual stage thud, and crash
Maximum Horizontal Sensing Angle	360° for ceiling mount or 180° for wall mount
Dimensions (D x H)	4.55 x 1.9 in (11.56 x 4.83 cm)
Weight (including battery & bracket)	5.1 oz (144.6 g)
Housing Material	ABS Plastic
Color	White
Operating Temperature	32°-120° F (0° - 49° C)
Relative Humidity	5-90% Non-Condensing
Battery (included, not installed)	Two (2) Panasonic CR123A or equivalent Lithium batteries
Certification	CE and RCM

## REGULATORY INFORMATION



## LIMITED WARRANTY

This Linear product is warranted against defects in material and workmanship for two (2) years. This warranty extends only to wholesale customers who buy direct from Linear LLC or through Linear LLC's normal distribution channels. Linear LLC does not warrant this product to consumers. Consumers should inquire from their selling dealer as to the nature of the dealer's warranty, if any.

There are no obligations or liabilities on the part of Linear LLC for consequential damages arising out of or in connection with use or performance of this product or other indirect damages with respect to loss of property, revenue, or profit, or cost of removal, installation, or reinstallation. All implied warranties for functionality, are valid only until the warranty expires. This Linear LLC Warranty is in lieu of all other warranties expressed or implied.

### 2GIG by Linear

1950 Camino Vida Roble, Suite 150  
Carlsbad, CA 92008 USA



#### For technical support in the USA and Canada:

855-2GIG-TECH (855-244-4832)

Email: 2gigtechsupport@linearcorp.com

Visit web site for technical support hours of operation

#### For technical support outside of the USA and Canada:

Contact your regional distributor

Visit dealer.2gig.com for a list of distributors in your region

77-000021-001 Rev. D