

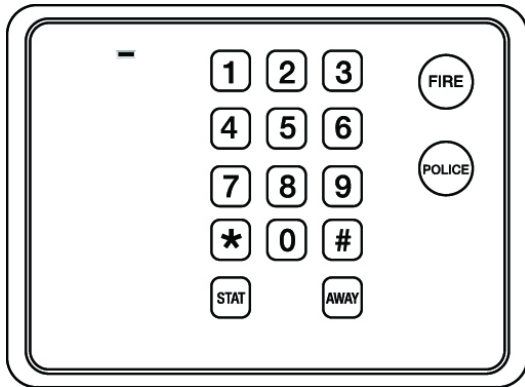
WIRELESS KEYPAD

INSTALL INSTRUCTIONS

The Wireless Keypad (2GIG-PAD3-433) is a wall-mounted unit designed for use as a secondary keypad for the 2GIG alarm system. It communicates with the Go!Control Panel using the 433 MHz frequency and provides users with the following features:

- Arm the system in Stay or Away mode
- Disarm the system
- Activate Fire and Panic emergency functions

Figure 1 Wireless Keypad



Box Contents

Verify that the package includes the following:

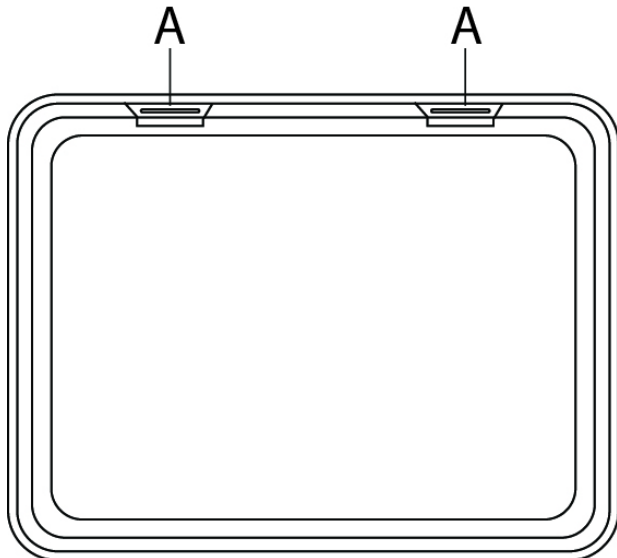
- 1—Wireless Keypad
- 4—Plastic Wall Anchors and Phillips Head Screws
- 2—3V Lithium Coin Batteries (installed)

Mounting the Wireless Keypad

To mount the wireless keypad:

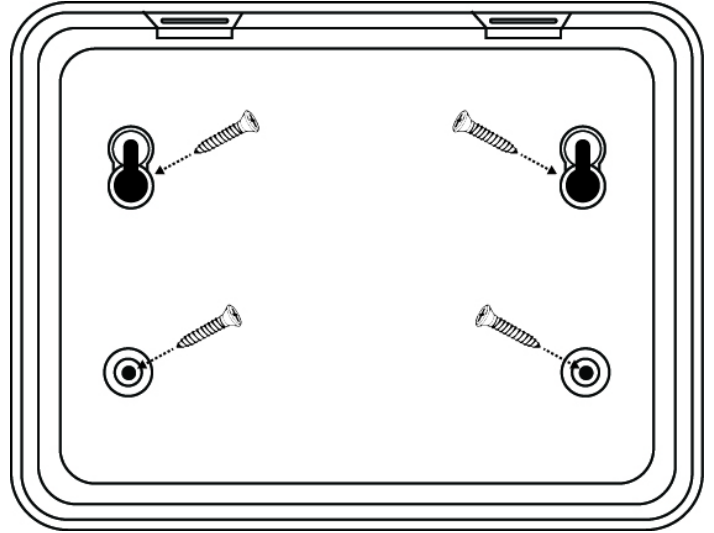
- 1 Press the hinged tabs on top of the keypad to separate the mounting plate from the unit (see A below).

Figure 2 Wireless Keypad—Hinged Tabs



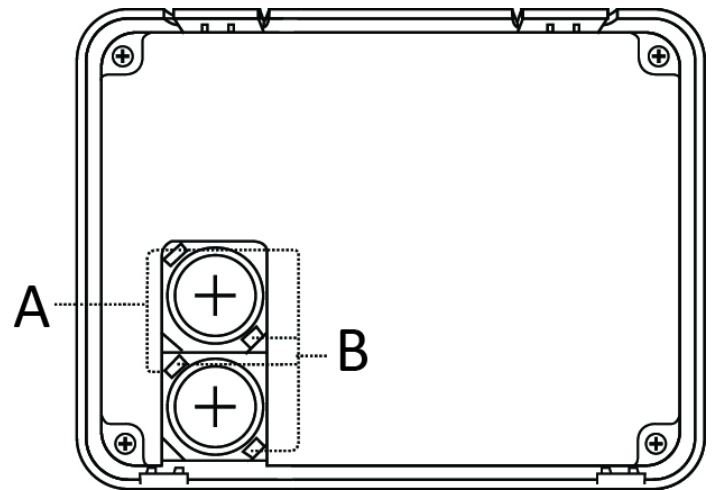
- 2 Place mounting plate in the desired location on the wall and ensure the plate is level.
- 3 Secure the mounting plate to the wall using the Plastic Wall Anchors and screws.

Figure 3 Wireless Keypad—Mounting Plate



- 4 Activate the batteries by removing the two battery pull tabs (see A below) located under the metal clips on each battery (see B below).

Figure 4 Wireless Keypad—Battery Compartment



- 5 Reattach the mounting plate to the unit by aligning the bottom of the plate with the unit and tilting the unit up until it snaps into place.

NOTE: To learn how to program the Wireless Keypad into the Control Panel, see the Control Panel's *Installation & Programming Guide*.

Installing and Replacing Batteries

To install and replace the batteries:

- 1 Press the hinged tabs on top of the keypad to separate the mounting plate from the unit. See *Figure 2 Wireless Keypad—Hinged Tabs*.
- 2 Place a small flathead screwdriver in the slot between the metal clip and the battery. Then twist the screwdriver slightly while holding the black plastic edges holding the battery. See *Figure 4 Wireless Keypad—Battery Compartment*.
- 3 Insert the replacement batteries (see *Specifications* on page 2) with the plus (+) side facing up.
- 4 Ensure that the programming settings are correct.
- 5 Test the unit for good RF communications. See *Testing the Wireless Keypad* on page 2.

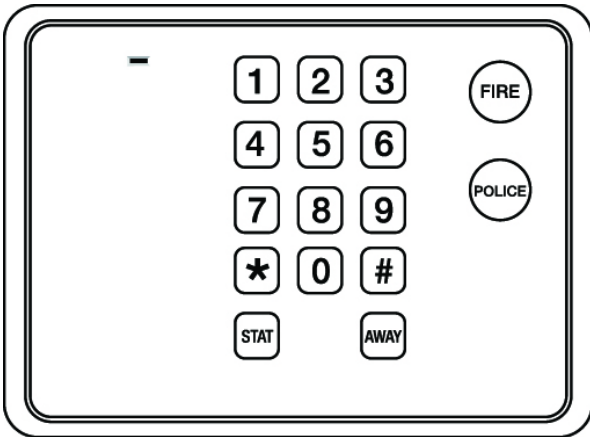
WARNING: Failure to follow these warnings and instructions can lead to heat generation, rupture, leakage, explosion, fire, or other injury, or damage. Do not insert the battery into the compartment in the wrong direction. Always replace the battery with the same or equivalent type (see *Specifications* on page 4). Never recharge or disassemble the battery. Never place the battery in fire or water. Always keep batteries away from small children. If batteries are swallowed, promptly see a doctor.

Testing the Wireless Keypad

Before mounting the keypad to the desired location, perform a test to verify that it can establish good radio frequency (RF) communications with the control panel.

- 1 On the keypad, press and hold any numeric key for at least two (2) seconds.

Figure 5 Wireless Keypad



- 2 Listen for the voice descriptor announcing the keypad.
- 3 Exit sensor test mode.

NOTE: To fully test the keypad, see the control panel's *Installation and Programming Guide*.

SPECIFICATIONS

Wireless Signal Range	350 ft (106.7 m), open air, with Wireless Control Panel
Code Outputs	Key Press 0-9; *, #; Stay; Away; Fire; Police; Supervisory; Low Battery
Transmitter Frequency	433.92 MHz (crystal controlled)
Unique ID Codes	Over one (1) million different code combinations
Supervisory Interval	70 minutes
Dimensions (L x W x H)	5.73 x 4.25 x 1.00 in (14.6 x 0.8 x 2.5 cm)
Weight (including battery)	7.75 oz (219.7 g)
Housing Material	ABS Plastic
Color	White with gray trim
Operating Temperature	32° to 120° F (0° to 49° C)
Relative Humidity	5-90% Non-Condensing
Battery (installed)	Two (2) Panasonic CR2032 or equivalent Lithium batteries
Certification	CE and RCM

REGULATORY INFORMATION



LIMITED WARRANTY

This Linear product is warranted against defects in material and workmanship for two (2) years. This warranty extends only to wholesale customers who buy direct from Linear LLC or through Linear LLC's normal distribution channels. Linear LLC does not warrant this product to consumers. Consumers should inquire from their selling dealer as to the nature of the dealer's warranty, if any.

There are no obligations or liabilities on the part of Linear LLC for consequential damages arising out of or in connection with use or performance of this product or other indirect damages with respect to loss of property, revenue, or profit, or cost of removal, installation, or reinstallation. All implied warranties for functionality, are valid only until the warranty expires. This Linear LLC Warranty is in lieu of all other warranties expressed or implied.

2GIG by Linear

1950 Camino Vida Roble, Suite 150
Carlsbad, CA 92008 USA



For technical support in the USA and Canada:

855-2GIG-TECH (855-244-4832)

Email: 2gigtechsupport@linearcorp.com

Visit web site for technical support hours of operation

For technical support outside of the USA and Canada:

Contact your regional distributor

Visit dealer.2gig.com for a list of distributors in your region

77-000027-001 Rev. A