

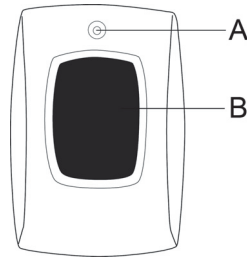
# PANIC BUTTON REMOTE

## INSTALLATION INSTRUCTIONS

The Panic Button Remote (2GIG-PANIC3-433) is a compact, battery-powered, wireless panic button that transmits an Emergency signal from any location within radio frequency (RF) range of the control panel. The signal can be transmitted to the control panel, whether the security system is armed or disarmed.

Users can mount the panic button in a convenient location in the wall or use one of these wearable options: lanyard, wristband, belt clip, and car-visor clip. It is completely water-resistant and also offers a five (5)-second button lockout.

**Figure 1** Panic Button Remote



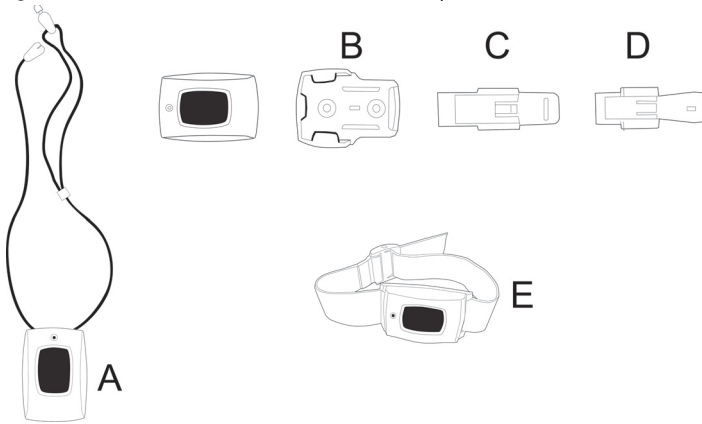
- A LED Indicator
- B Panic Button

## Box Contents

Verify that the package includes the following:

- 1—Panic Button Remote
- 1—Battery
- 1—Lanyard
- 1—Car-Visor Clip
- 1—Belt Clip
- 1—Wrist Band
- 1—Sensor holder for clips (belts and visor) with option to wall mount using two (2) screws (not included)

**Figure 2** Panic Button Remote—Wearable Options



- A Lanyard
- B Sensor holder
- C Belt Clip
- D Visor Clip
- E Wristband

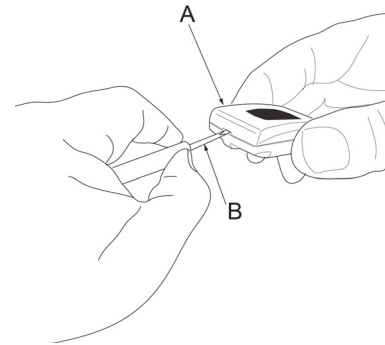
## Inserting and Replacing the Batteries

**WARNING:** To be useful in duress situations, it is imperative that you maintain the battery in the panic button. To ensure proper functioning, it is recommended that end users and/or qualified installation personnel check the battery for the panic button regularly, at least one or more times per year. Under typical conditions, the battery life is approximately two (2) years. When the battery is low, the control panel's Home screen will display a trouble notification. To help to ensure that the panic button is available during a duress event, always replace the battery when the low battery notification first appears.

**WARNING:** Always use the recommended replacement batteries and ensure that it is new, in good condition, and fully-charged (see *Specifications* on page 2).

- 1 Insert a small, flathead screwdriver into the opening on the panic button. Then remove the top cover.

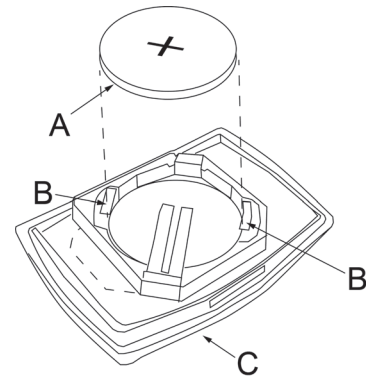
**Figure 3** Panic Button Remote—Removing the Top Cover



- A Top Cover
- B Flat Head Screwdriver

- 2 Gently insert the flathead screwdriver between the battery and one of the metal clips in the battery compartment. Then remove the old battery.

**Figure 4** Panic Button Remote—Battery Compartment



- A Battery
- B Metal Clips
- C Battery Compartment

**IMPORTANT:** Always dispose and/or recycle used batteries in accordance with the hazardous waste recovery and recycling regulations for your location. Your city, state, or country may also require you to comply with additional handling, recycling, and disposal requirements.

- 3 Insert the replacement battery with the positive (+) sign facing up.
- 4 If you remove the circuit board (not recommended), ensure the LED aligns with the appropriate hole on the top cover.
- 5 Verify that the panic button is programmed into the control panel and ensure that it has quality radio frequency (RF) communications with the panel.

**NOTE:** To learn how to program a wireless sensor into the Control Panel, see the Control Panel's *Installation & Programming Guide*.

- 6 Replace the panic button's top cover.

**WARNING:** Failure to follow these warnings and instructions can lead to heat generation, rupture, leakage, explosion, fire, or other injury, or damage. Do not insert the battery into the compartment in the wrong direction. Always replace the battery with the same or equivalent type (see *Specifications*). Never recharge or disassemble the battery. Never place the battery in fire or water. Always keep batteries away from small children. If batteries are swallowed, promptly see a doctor.

**WARNING:** After replacing the battery, always test the panic button. For testing information, see the Control Panel's *Installation & Programming Guide*.

## Activating the Panic Button Remote

To activate the panic button:

- 1 Press and hold the panic button for approximately two (2) seconds. When the LED illuminates RED, a signal is transmitted to the control panel.
- 2 When the control panel alarm sounds and the System in Alarm message displays, enter your code to silence the alarm. Any valid user code will silence the alarm. An alarm report is transmitted to the monitoring service. To acknowledge that the alarm report was sent, tap **OK**.
- 3 If you want to clear the alarm history on the control panel, tap **Clear Alarm History**. This places a checkmark in the corresponding box. Then tap **OK**.

## SPECIFICATIONS

<b>Wireless Signal Range</b>	500 ft (152.4 m), open air, with Wireless Alarm Control Panel
<b>Code Outputs</b>	Alarm; Supervisory; Low Battery
<b>Transmitter Frequency</b>	433.92 MHz (crystal controlled)
<b>Unique ID Codes</b>	Over one (1) million different code combinations
<b>Supervisory Interval</b>	70 minutes
<b>LED</b>	RED when activated
<b>Dimensions (L x W x H)</b>	1.65 x 1.20 x 0.50 in. (4.19 x 3.05 x 1.27 cm)
<b>Weight (including battery and bracket)</b>	0.45 oz. (12.8 g)
<b>Housing Material</b>	ABS Plastic
<b>Color</b>	White with Grey Button
<b>Operating temperature</b>	32° to 120° F (0° to 49° C)
<b>Relative Humidity</b>	Water-Resistant
<b>Battery (included, not installed)</b>	One (1) Panasonic CR2032 battery (or equivalent)
<b>Regulatory Listings</b>	CE and RCM

## REGULATORY INFORMATION



## LIMITED WARRANTY

This Linear product is warranted against defects in material and workmanship for two (2) years. This warranty extends only to wholesale customers who buy direct from Linear LLC or through Linear LLC's normal distribution channels. Linear LLC does not warrant this product to consumers. Consumers should inquire from their selling dealer as to the nature of the dealer's warranty, if any.

There are no obligations or liabilities on the part of Linear LLC for consequential damages arising out of or in connection with use or performance of this product or other indirect damages with respect to loss of property, revenue, or profit, or cost of removal, installation, or reinstallation. All implied warranties for functionality, are valid only until the warranty expires. This Linear LLC Warranty is in lieu of all other warranties expressed or implied.

**2GIG by Linear**  
1950 Camino Vida Roble, Suite 150  
Carlsbad, CA 92008 USA



**For technical support in the USA and Canada:**  
855-2GIG-TECH (855-244-4832)  
Email: 2gigtechsupport@linearcorp.com  
Visit web site for technical support hours of operation

**For technical support outside of the USA and Canada:**  
Contact your regional distributor  
Visit dealer.2gig.com for a list of distributors in your region

77-000024-001 Rev. B