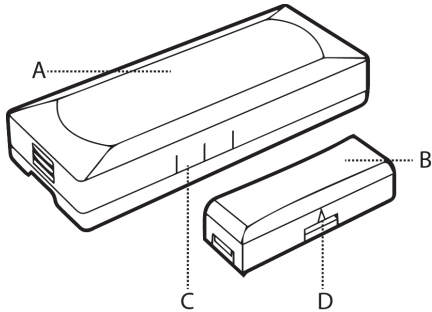


THIN DOOR/WINDOW CONTACT

INSTALLATION INSTRUCTIONS

The Thin Door/Window Contact (2GIG-DW14-433) is designed for use on doors, windows, and other objects that open and close. It communicates with the control panel using the 433 MHz frequency. When the magnet (which is mounted near the sensor) moves away from or closer to the door contact's sensor, signals are transmitted to the control panel. The door contact also has an external input that accepts connections from Normally-Closed (NC) dry contact devices. For added protection, it is also equipped with a cover tamper.

Figure 1 Thin Door/Window Contact—Sensor and Magnet



- A Thin Door/Window Contact Sensor
- B Thin Door/Window Contact Magnet
- C Alignment Marks on Sensor
- D Alignment Arrow on Magnet

Box Contents

Verify that the package includes the following:

- 1—Thin Door/Window Contact
- 1—Rare Earth Magnet
- 2—Phillips Head Screws
- 2—3-Volt (3V) Lithium Coin Batteries
- 2—Adhesive Foam Tape
- 1—12 in (30 cm) Wire Lead

Testing the Thin Door/Window Contact

Before mounting the door contact at the desired location, perform a walk test to verify that it can establish good Radio Frequency (RF) communications with the control panel.

NOTE: To fully test the Thin Door/Window Contact, see the control panel's *Installation and Programming Guide*.

Mounting Guidelines

Use these guidelines when installing the door contact for internal switch usage:

- **Mount Sensors within 100 ft (30 m) of the Control Panel.** Although the transmitter may have a range of 350 ft (106.7 m) open air, the sensor location can have a significant effect on range. In open/unobstructed situations, the transmitter range may be greater. In adverse wireless conditions, changing the sensor orientation may lead to improved range.
- **Mount Sensors at Least 4.7 in (12 cm) Above the Floor.** Placing sensors slightly above floor level helps to minimize possible sensor damage.
- **Single vs. Double Door Installation.** For single-door installation, mount the sensor on the door frame and the

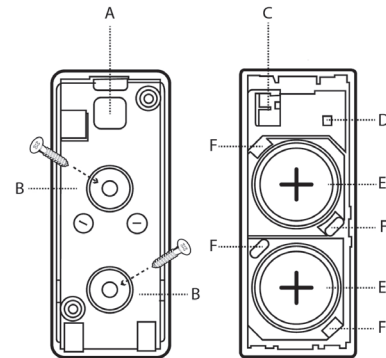
magnet on the door. For double-door installation, mount the sensor on the least-used door and the magnet on the most-used door.

- **Do Not Expose Sensors to Moisture or Extreme Temperature.** It is best to mount sensors in a dry location where the operating temperature do not exceed 32° to 120° F (0° to 49° C).
- **Keep Sensors and Magnets Away from Metal/Metallic Surfaces.** To keep sensors and magnets away from metal or metallic surfaces (for example, foil wallpaper), it is recommended that you use spacers (not included). You should also avoid mounting sensors in areas where there is a large quantity of metal or electrical wiring (for example, near a furnace or in a utility room).
- **Align Magnet with Sensor.** Make sure the alignment arrow on the magnet points to the center alignment mark on the sensor (see *Figure 1 Thin Door/Window Contact—Sensor and Magnet*).

Mounting the Thin Door/Window Contact

Use the figure below as a guideline when mounting the door contact. In step 7 below, you have the option to mount the door contact with an external input wire for an NC dry contact device.

Figure 2 Thin Door/Window Contact—Backplate and Battery Compartment



- A Access hole for external input wire (on backplate)
- B Top and bottom mounting holes (on backplate)
- C External input wire jack (on sensor)
- D Tamper switch (on sensor)
- E 3-Volt (3V) lithium coin battery compartments (on sensor)
- F Metal clips for removing batteries (on sensor)

To mount the door contact:

- 1 At the top of the sensor, press down on the clip to unlock the sensor's backplate. Then, gently pull down on the backplate to remove it.
- 2 On the backplate, drill-through top and bottom mounting holes if needed (see *Figure 2 Thin Door/Window Contact—Backplate and Battery Compartment*).
- 3 Holding the backplate location, place the bottom mounting hole as follows:
 - **Single Door Installation.** At the desired location on the door frame.
 - **Double Door Installation.** At the desired location on the least-used door.

IMPORTANT: To minimize the risk of potential sensor damage, always mount the sensor at a minimum height of 4.7 in (12 cm) from the floor.

- 4 Using the two (2) Phillip Head Screws (provided), secure the backplate the door (or door frame).
- 5 Ensure that the alignment arrow on the magnet is lined up with the middle mark on the sensor (see *Figure 1 Thin Door/Window Contact—Sensor and Magnet*).
- 6 Use the adhesive (provided) to secure the magnet as follows:
 - **Single Door Installation.** On the door.
 - **Double Door Installation.** On the most-used door.

IMPORTANT: The magnet must be no more than 0.4 in (1 cm) away from the sensor.

NOTE: If you are not using an external input wire, skip step 7 and continue with step 8.

- 7 If you are using an external input wire, do the following:
 - 7a Thread the external input wire through the base.
 - 7b Insert the two-pin connector into the external input wire jack on the (see Part C in *Figure 2 Thin Door/Window Contact—Backplate and Battery Compartment*) cover.
- 8 Replace the sensor backplate. If applicable, ensure that the external input wire is connected to the NC dry contact device.

NOTE: To learn how to program a sensor into the Control Panel, see the Control Panel's *Installation & Programming Guide*.

Inserting and Replacing the Batteries

To insert or replace the batteries:

- 1 At the top of the sensor, push down the clip to unlock the sensor's backplate. Then, gently pull down on the backplate to remove it.
- 2 Place a small flathead screwdriver in the slot between the metal clip and battery (see Part F in *Figure 2 Thin Door/Window Contact—Backplate and Battery Compartment*).
- 3 Holding down the raised plastic edge in the battery compartment, gently twist the screwdriver to pop out each battery.

IMPORTANT: Always dispose and/or recycle used batteries in accordance with the hazardous waste recovery and recycling regulations for your location. Your city, state, or country may also require you to comply with additional handling, recycling, and disposal requirements.

- 4 Insert the replacement batteries in the compartment. The plus (+) sign of both batteries should be facing up and the minus (-) side facing down.

WARNING: Failure to follow these warnings and instructions can lead to heat generation, rupture, leakage, explosion, fire, or other injury, or damage. Do not insert the battery into the compartment in the wrong direction. Always replace the battery with the same or equivalent type (see *Inserting and Replacing the Batteries* on page 2). Never recharge or disassemble the battery. Never place the battery in fire or water. Always keep batteries away from small children. If batteries are swallowed, promptly see a doctor.

Specifications

Wireless Signal Range	350 ft (106.7 m), open air, with Wireless Control Panel
Code Outputs	Alarm; Alarm Restore; Supervisory; Low Battery; External Alarm; External Restore; Tamper; Tamper Restore
Transmitter Frequency	433.92 MHz (crystal controlled)
Unique ID Codes	Over one (1) million different code combinations
Supervisory Interval	70 minutes
External Input	Accepts N/C dry contact devices
Magnet Dimensions (L x W x H)	1.3 x 0.435 x 0.312 in (3.3 x 1.1 x 0.79 cm)
Magnet Type	Rare Earth
Sensor Dimensions (D x H)	2.59 x 1.03 x 0.49 in (6.58 x 2.62 x 1.24 cm)
Weight (including battery & magnet)	1.1 oz (31.2 g)
Housing Material	ABS Plastic
Color	White
Operating Temperature	32°-120° F (0° - 49° C)
Relative Humidity	5-90% Non-Condensing
Battery (included)	Two (2) Panasonic CR 2032 or equivalent Lithium batteries
Certification	CE and RCM

Regulatory Information



Limited Warranty

This Nortek Security & Control product is warranted against defects in material and workmanship for two (2) years. This warranty extends only to wholesale customers who buy direct from Nortek Security & Control LLC or through Nortek Security & Control LLC's normal distribution channels. Nortek Security & Control LLC does not warrant this product to consumers. Consumers should inquire from their selling dealer as to the nature of the dealer's warranty, if any.

There are no obligations or liabilities on the part of Nortek Security & Control LLC for consequential damages arising out of or in connection with use or performance of this product or other indirect damages with respect to loss of property, revenue, or profit, or cost of removal, installation, or reinstallation. All implied warranties for functionality, are valid only until the warranty expires. This Nortek Security & Control LLC Warranty is in lieu of all other warranties expressed or implied.

Nortek Security & Control LLC
2GIG

1950 Camino Vida Roble, Suite 150
Carlsbad, CA 92008-6517 USA

For technical support in the USA and Canada:

855-2GIG-TECH (855-244-4832)

Email: 2gigtechsupport@nortek.com

Visit www.nortekcontrol.com for technical support hours of operation

For technical support outside of the USA and Canada:

Contact your regional distributor

Visit dealer.2gig.com for a list of distributors in your region



NORTEK
SECURITY & CONTROL
77-000014-001 Rev. D