

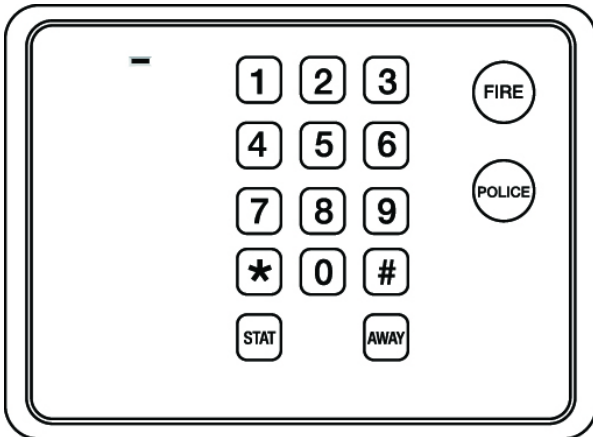
WIRELESS KEYPAD

INSTALLATION INSTRUCTIONS

The 2GIG Wireless Keypad (2GIG-PAD1-345) is a wall-mounted unit designed for use as a secondary keypad for the 2GIG security system. It communicates with the Control Panel using the 345 MHz frequency and provides users with the following features:

- Arm the system in Stay or Away mode
- Disarm the system
- Activate Fire and Panic emergency functions

Figure 1 Wireless Keypad



Contents

Verify that the package includes the following:

- 1—Wireless Keypad
- 4—Plastic Wall Anchors and Phillips Head Screws
- 2—Lithium Coin Batteries (installed)

Programming

Use the Control Panel to configure the Wireless Keypad to work with the security system. For details, see “Wireless (RF) Keypad Programming” in the Control Panel’s *Installation & Programming Guide*.

Testing

Before mounting the Wireless Keypad in the desired location, verify that the location provides for good radio frequency (RF) communication to the Control Panel.

To test the Wireless Keypad:

- 1 Place the Control Panel into sensor test mode. For instructions, see the Control Panel’s *Installation & Programming Guide*.
- 2 Press and hold any numeric key on the Wireless Keypad for at least two (2) seconds.
- 3 Listen for a siren or keypad beeps to determine the appropriate response. For information, see the Control Panel’s *Installation & Programming Guide*
- 4 Exit sensor test mode.

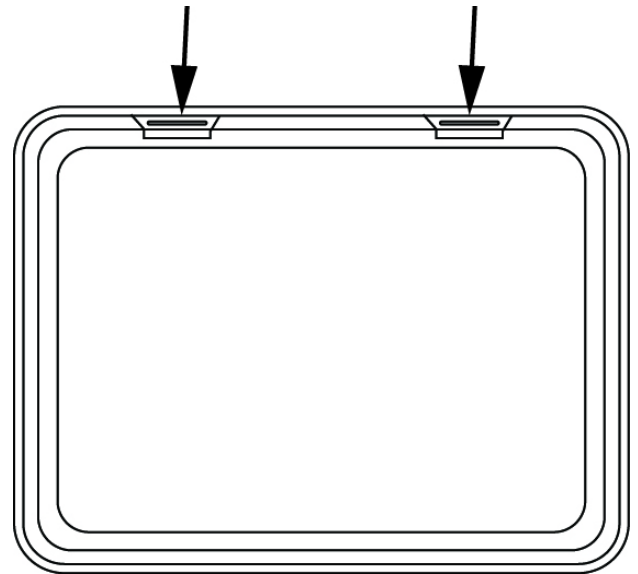
NOTE: It is strongly recommended that you perform a system test using the instructions in the Control Panel’s *Installation & Programming Guide*.

Mounting the Wireless Keypad

To mount the Wireless Keypad:

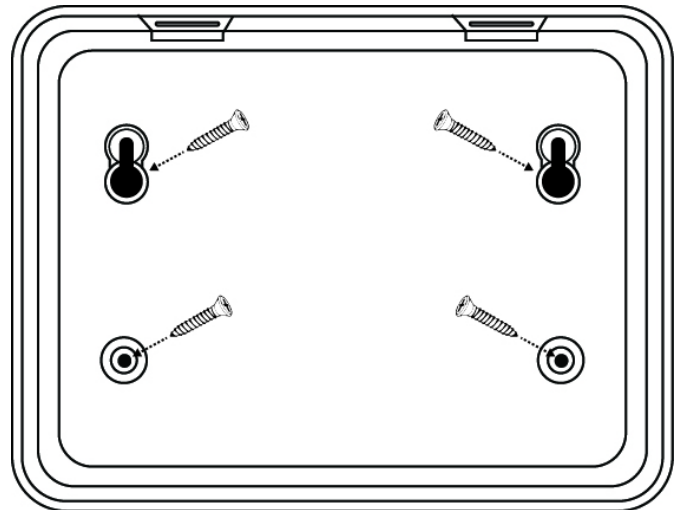
- 1 Simultaneously press the hinged tabs on top of the Wireless Keypad to separate the mounting plate from the keypad. See in *Figure 2* below.

Figure 2 Wireless Keypad—Hinged Tabs



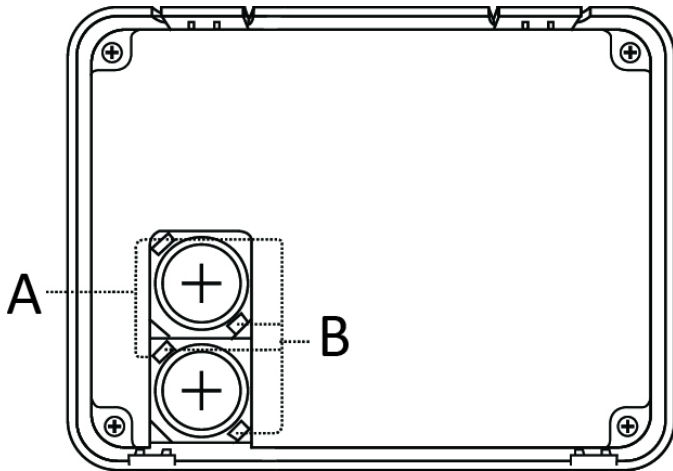
- 2 Place the mounting plate in the desired location on the wall. Then ensure the mounting plate is level.
- 3 Secure the mounting plate to the wall using the four (4) Plastic Wall Anchors and Phillips Head Screws (provided). See *Figure 2* below.

Figure 3 Wireless Keypad—Mounting Plate



- Connect the batteries by removing the two battery pull tabs. The pull tabs are located near the metal clips on each battery. See *Figure 4* below.

Figure 4 Wireless Keypad—Battery Compartment



- A Metal Clips
B Hinged Tabs

- Reattach the mounting plate to the unit by aligning the bottom of the plate with the unit and tilting the unit up until it snaps into place.

Installing and Replacing the Batteries

To install and replace the batteries:

- Press the hinged tabs on top of the keypad to separate the mounting plate from the unit. See *Figure 2* on page 1.
- Place a small flathead screwdriver in the slot between the metal clip and the battery. See *Figure 4* above.
- Twist the screwdriver slightly while holding the black plastic edges holding the battery. See *Figure 4* above.
- Insert the replacement batteries in the compartment. The plus (+) sign of both batteries should be facing up and the minus (-) side facing down.
- Ensure that the programming settings are correct. For details, see “Wireless (RF) Keypad Programming” in the Control Panel’s *Installation & Programming Guide*.

WARNING: Failure to follow these warnings and instructions can lead to heat generation, rupture, leakage, explosion, fire, or other injury, or damage. Do not insert the battery into the compartment in the wrong direction. Always replace the battery with the same or equivalent type (see *Specifications* on page 2). Never recharge or disassemble the battery. Never place the battery in fire or water. Always keep batteries away from small children. If batteries are swallowed, promptly see a doctor.

CALIFORNIA ONLY: This product contains Lithium Manganese Dioxide Batteries. Perchlorate Material - special handling may apply. <http://www.dtsc.ca.gov/hazardouswaste/perchlorate/>

- Test the unit for good RF communications. See *Specifications*.

SPECIFICATIONS

Wireless Signal Range	350 ft (106.7 m), open air, with Wireless Control Panel
Code Outputs	Key Press 0-9; *, #; Stay; Away; Fire; Police; Supervisory; Low Battery
Transmitter Frequency	345.00 MHz (crystal controlled)
Unique ID Codes	Over one (1) million different code combinations
Supervisory Interval	70 minutes
Dimensions (L x W x H)	5.73 x 4.25 x 1.00 in (14.6 x 0.8 x 2.5 cm)
Weight (including battery)	7.75 oz (219.7 g)
Housing Material	ABS Plastic
Color	White with Silver Trim
Operating Temperature	32° to 120° F (0° to 49° C)
Relative Humidity	5-90% Non-Condensing
Battery (installed)	Two (2) CR 2032 3V or equivalent Lithium coin batteries
Certification	Anatel, ETL, FCC, IC, IFETEL, and NOM

REGULATORY INFORMATION



FCC Notice

This device complies with Part 15 of the FCC’s Rules. Operation is subject to the following two conditions:

- This device may not cause harmful interference, and
- This device must accept any interference received, including interference that may cause undesired operation.

This equipment has been tested and found to comply with the limits for a Class B digital device, pursuant to Part 15 of the FCC Rules. These limits are designed to provide reasonable protection against harmful interference in a residential installation.

This equipment generates, uses and can radiate radio frequency energy and, if not installed and used in accordance with the instructions, may cause harmful interference to radio communications. However, there is no guarantee that interference will not occur in a particular installation. If this equipment does cause harmful interference to radio or television reception, which can be determined by turning the equipment off and on, the user is encouraged to try to correct the interference by one or more of the following measures:

- Reorient or relocate the receiving antenna.
- Increase the separation between the equipment and receiver.
- Connect the equipment into an outlet on a circuit different from that to which the receiver is connected.
- Consult the dealer or an experienced radio/TV technician for help.

This product complies with FCC radiation exposure limits for an uncontrolled environment. Avoid operating this product at a distance less than 20 cm from the user.

CAUTION: Any changes or modifications not expressly approved by the party responsible for compliance could void the user’s authority to operate this equipment.

Industry Canada (IC) Compliance

This device complies with Industry Canada license-exempt RSS standard(s). Operation is subject to the following two conditions: (1) this device may not cause interference, and (2) this device must accept any interference, including interference that may cause undesired operation of the device.

Repairs to certified equipment should be made by an authorized Canadian maintenance facility designated by the supplier. Any repairs or alterations made by the user to this equipment, or equipment malfunctions, may give the telecommunications company cause to request the user to disconnect the equipment.

Users should ensure for their own protection that the electrical ground connections of the power utility, telephone lines and internal metallic water pipe system, if present, are connected together. This precaution may be particularly important in rural areas.

Users should not attempt to make such connections themselves, but should contact the appropriate electric inspection authority, or electrician, as appropriate.

LIMITED WARRANTY

This Nortek Security & Control LLC product is warranted against defects in material and workmanship for two (2) years. This warranty extends only to wholesale customers who buy direct from Nortek Security & Control LLC or through Nortek Security & Control LLC's normal distribution channels. Nortek Security & Control LLC does not warrant this product to consumers. Consumers should inquire from their selling dealer as to the nature of the dealer's warranty, if any.

There are no obligations or liabilities on the part of Nortek Security & Control LLC for consequential damages arising out of or in connection with use or performance of this product or other indirect damages with respect to loss of property, revenue, or profit, or cost of removal, installation, or reinstallation. All implied warranties for functionality, are valid only until the warranty expires. This Nortek Security & Control LLC Warranty is in lieu of all other warranties expressed or implied.

2GIG

1950 Camino Vida Roble, Suite 150
Carlsbad, CA 92008 USA



For technical support in the USA and Canada:

Dial: 855-2GIG-TECH (855-244-4832)

Email: 2gigtechsupport@nortek.com

Visit web site for technical support hours of operation

For technical support outside of the USA and Canada:

Contact your regional distributor

Visit dealer.2gig.com for a list of distributors in your region

10004966 Rev. A



A Nortek Company