
VistaCam 1100 Waterproof HD IP Camera



Setup Guide

Document Version: 1.0
Copyright 2015. All Rights Reserved.
All trademarks and trade names are the properties of their respective
owner

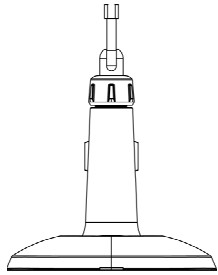
Package Contents

The following items should be included: If any of these items are damaged or missing, please contact your service provider immediately.

1. Broad View Camera * 1



2. Wall-mount Stand * 1



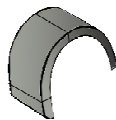
3. Ethernet cable 8P8C (length 5M) * 1



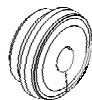
4. Y-cable (RJ45) * 1



5. Cable Clip * 1



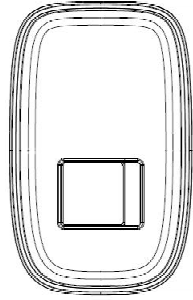
6. RJ45 Rubber Hood * 1



7. Screw/Anchor * 2



8. RP131 (Wireless PoE Adapter) * 1



Chapter 1

Introduction



This Chapter provides details of the Waterproof HD IP Camera's features, components and capabilities.

Overview

The VistaCam 1100 Waterproof HD IP Camera has an Integrated Microcomputer and a Mega Pixel OmniVision CMOS sensor, enabling it to display high quality live streaming video.

The Waterproof HD IP Camera can be either used as a wired camera through PoE switch or a Wi-Fi IP camera with the provided Wireless PoE adapter (RP131).

This weather-resistant camera, which with the IP65 rated housing, lets you keep an eye on your belongings - even in harsh conditions such as rain and dust. It is also an all-in-one camera that has automatic and manual day/night switching, IR illumination and PIR sensor.

Features

- **Standalone Design:** The Waterproof HD IP Camera is a standalone system with built-in CPU and Video encoder. It requires only a power source and a connection to your Router.
- **Dual Video Support:** The Waterproof HD IP Camera can support H.264 and MJPEG video for different image compression.
- **Day/Night Switch:** With the day/night switching feature, you are able to view and record better images even in the dark of night.
- **Wired and Wireless Network Support:** The Waterproof HD IP Camera supports either wired or wireless transmission (with RP131).
- **PoE Support.** You can use PoE (Power over Ethernet) to provide power to the Waterproof HD IP Camera, so only a single cable connection is required.
- **PIR (Passive Infrared Sensor) Support.** The Waterproof HD IP Camera is embedded with a PIR Sensor, which senses infrared light radiating from human bodies in its field of view. This feature is very helpful in enhancing home security systems.

Internet Features

- **User-definable HTTP/HTTPS port number.** This allows Internet Gateways to use "port mapping" so the Waterproof HD IP Camera and a Web Server can share the same Internet IP address.
- **DDNS Support.** In order to view video over the Internet, users must know the Internet IP address of the gateway used by the Waterproof HD IP Camera. But if the Gateway has a dynamic IP address, DDNS (Dynamic DNS) is required. Since many existing Gateways do not support DDNS, this function is incorporated into the Waterproof HD IP Camera.
- **NTP (Network-Time-Protocol) Support.** NTP allows the Waterproof HD IP Camera to calibrate its internal clock from an Internet Time-Server. This ensures that the time stamp on Video from the Waterproof HD IP Camera will be correct.

Chapter 2 Basic Setup

2

This Chapter provides details on how to setup and mount the VistaCam 1100 Waterproof HD IP Camera.

System Requirement

To use the wired LAN interface, a standard 10/100BaseT hub or switch and network cable is required.

Physical Details – VistaCam 1100 Waterproof HD IP Camera

Front Panel - VistaCam 1100 Waterproof HD IP Camera



Figure 1: Front Panel – Waterproof HD IP Camera

- 1. Light Sensor** This sensor is used to detect light condition in the environment.
- 2. Lens** No physical adjustment is required or possible for the lens, but you should ensure that the lens cover remain clean. The image quality is degraded if the lens cover is dirty or smudged.

- 3. PIR Sensor** This is hardware sensor to detect motion.
- 4. Power/Network /Heater LED** On (Green) - Power on.
Off (Green) - No power.
Blinking (Green) - The LED will be blinking every 3 seconds while booting.
Fast Blinking (Green) - Data is being transmitted or received via the LAN port.
On (Blue) - Firmware upgrade is failed.
Off (Blue) - Firmware upgrade is successful.
Blinking (Blue) - The LED will be blinking rapidly during the FW upgrading.
On (Red) - The heater is active.
Off (Red) - The heater is off.

Rear Panel - VistaCam 1100 Waterproof HD IP Camera



Figure 2: Rear Panel – Waterproof HD IP Camera

1. LAN port

The supplied Ethernet cable can provide the power to the Waterproof HD IP Camera and also connect the device to your router.

Note:

- The Wireless and LAN interfaces cannot be used simultaneously. Recommended to use Y-cable for RP131 configuration only. The LAN cable should be always connected in order to provide electrical power to the camera.
- The wireless interface will be disabled only when the RP131 is power off or disconnected.

2. Reset Button

This button is recessed; a pin or paper clip can be used to press it. It can be activated at any time when the camera is powered on.

- **Reset to default manufacturer values and reboot.** When pressed and held for 10 seconds, settings of the Waterproof HD IP Camera will be set to their default manufacturer values.

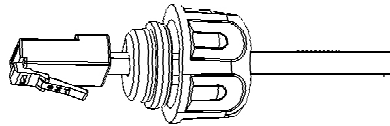
Note: After this procedure is completed, the LED will blink once to confirm that the reset was successfully completed.

Setup the VistaCam 1100 Waterproof HD IP Camera

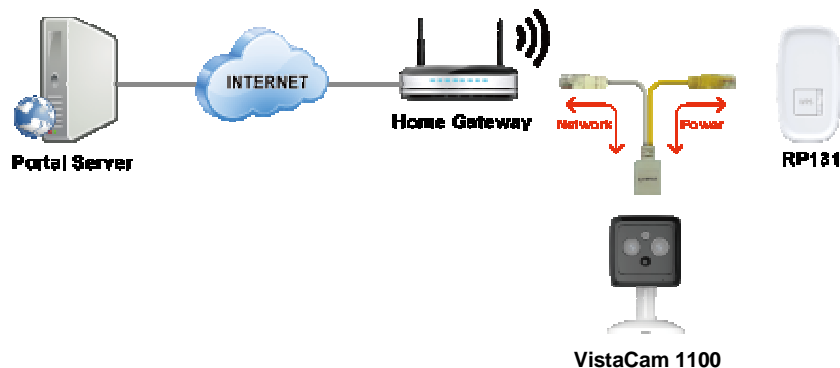
Step 1 - RP131 Configuration

This configuration will set wireless connectivity of the camera via RP131.

1. Assemble the Camera
 - A. Hold the screw of the camera up.
 - B. Attach the back of the camera to the stand and turn the camera clockwise to attach it to the stand.
 - C. Attach the rubber hood and screw to the LAN cable.



2. Connect the Camera
 - A. Connect the yellow connector of the provided Y-cable to the Wireless PoE Adapter and the white connector to a Home Gateway.
 - B. Use the Ethernet cable to connect the LAN port of Y-cable and the camera.
 - C. Connect Wireless PoE Adapter to the power outlet. Please refer to the manual for the WiFi configuration.



3. Check the LEDs
The *Power* LED will start blinking during startup. After startup is completed, the *Power* LED should remain ON.
4. Wireless Configuration (RP131)
Push the WPS button on the RP131 and on your router to establish an encryption-secured wireless connection between the camera and the router automatically.

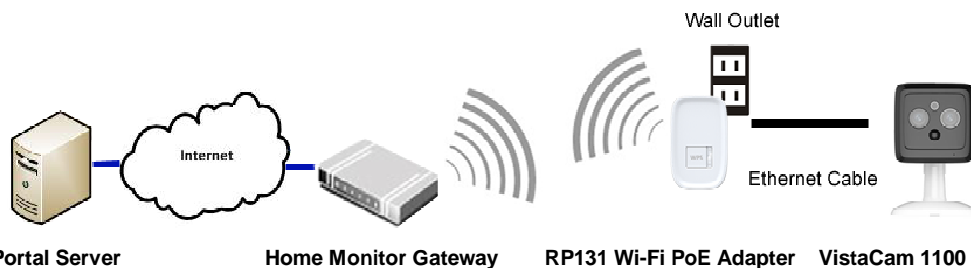
- **WPS PBC Mode.** When pressed and released (less than 3 seconds), the RP131 will be in the WPS PBC mode (Auto link mode).
- **WPS Pin Code Mode.** When pressed and held for over 3 seconds, the RP131 will be in the WPS Pin Code mode.



Note!

The Wireless and LAN interfaces cannot be used simultaneously. Using the Y-cable is recommended for RP131 configuration. After you configure the Wireless settings on the Waterproof HD IP Camera and ensure they are correct, you can unplug the Y-cable and power off the camera. The Waterproof HD IP Camera will be in wireless interface when you power on the camera again.

Step 2 - Installation

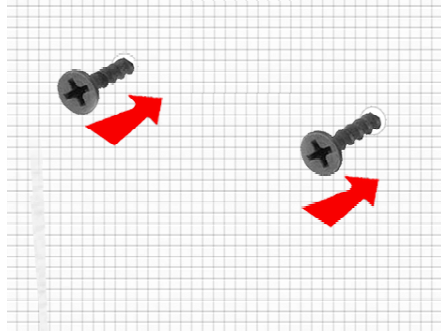


1. Disassemble the Camera
 - A. Unplug the Y-cable and power off the camera
 - B. Locate the camera and the Wireless PoE Adapter in the desired place.
2. Connect Camera
 - A. Connect the provided Ethernet cable to the Wireless PoE Adapter and the camera.
 - B. Connect the Wireless PoE Adapter to the power outlet.

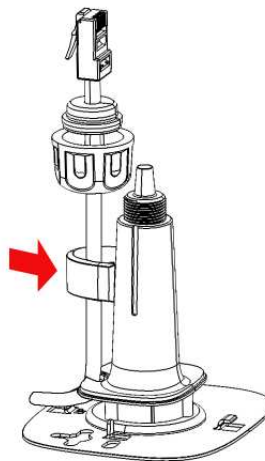
Mounting the Waterproof HD IP Camera

Note: Please ensure camera is configured and added to the network before permanent mounting.

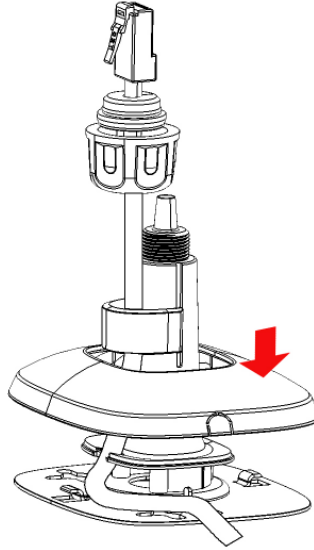
1. Identify the location for mounting the camera.
2. Install and drive two screws 2/3 of the way into the wall.



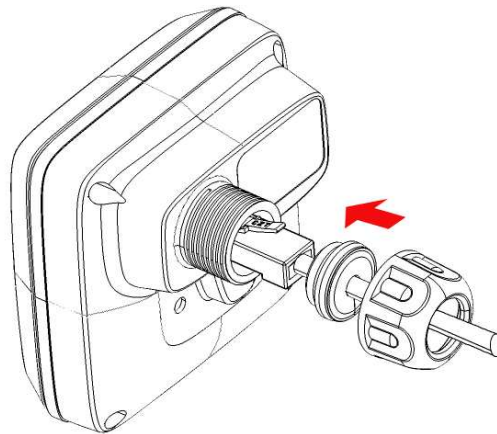
3. Remove the cover of the stand
4. Align the two mounting holes at the bottom of the camera stand with the two screws, and mount the camera stand onto the wall.
5. Attach the Ethernet cable to the notch of the camera stand and use the cable clip to control the cable.



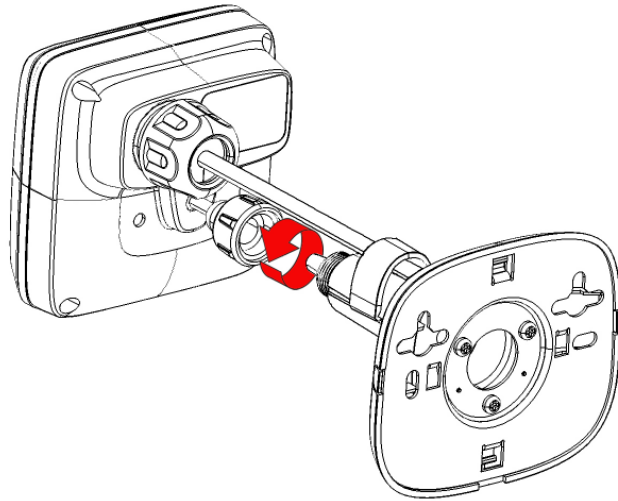
6. Attach the cover back to the stand.



7. Connect one end of the Ethernet cable to the LAN port of the camera and the other end to Wireless PoE Adapter.



8. Screw/attach the camera onto the camera stand.



9. Make sure the Waterproof HD IP Camera is firmly fixed on the wall. Adjust the camera to the preferred position.

Appendix A

Specifications



VistaCam 1100 Waterproof HD IP Camera

Model	VistaCam 1100 Waterproof HD IP Camera
Dimensions	83mm (H) * 83mm (W) * 45.5mm (L)
Operating Temperature	-20° C to 50° C
Storage Temperature	-40° C to 70° C
Network Protocols	TCP/IP, HTTP, HTTPS, DHCP, SMTP, FTP, UPnP, DDNS, NTP, RTP, RTCP, F TSP, SMB, DNS
Network Interface	RJ-45 with PoE Connection
Wireless interface	External RP131 Wireless Module
LEDs	1
Power Adapter	RP131 (Wireless PoE Adapter)

Regulatory Approvals

FCC Statement

This equipment generates, uses, and can radiate radio frequency energy and, if not installed and used in accordance with the instructions, may cause harmful interference to radio communications. However, there is no guarantee that interference will not occur in a particular installation. If this equipment does cause harmful interference to radio or television reception, which can be determined by turning the equipment off and on, the user is encouraged to try to correct the interference by one of the following measures:

- Reorient or relocate the receiving antenna.
- Increase the separation between the equipment and receiver.
- Connect the equipment into an outlet on a circuit different from that to which the receiver is connected.
- Consult the dealer or an experienced radio/TV technician for help.

To assure continued compliance, any changes or modifications not expressly approved by the party responsible for compliance could void the user's authority to operate this equipment. (Example - use only shielded interface cables when connecting to computer or peripheral devices).

FCC Radiation Exposure Statement

This equipment complies with FCC RF radiation exposure limits set forth for an uncontrolled environment. This equipment should be installed and operated with a minimum distance of 20 centimeters between the radiator and your body.

This device complies with Part 15 of the FCC Rules. Operation is subject to the following two conditions:

- (1) This device may not cause harmful interference, and
- (2) This device must accept any interference received, including interference that may cause undesired operation.

This transmitter must not be co-located or operating in conjunction with any other antenna or transmitter.

CE Approvals

The Waterproof HD IP Camera and the Ethernet Waterproof HD IP Camera meet the guidelines of the European Union and comply with the 99/5/EEC and RTTE 99/5EG directives, including the following standards:

- EN60950-1
- EN55024
- EN55022/24

This is a Class B product. In a domestic environment this product may cause radio interference in which case the user may be required to take adequate measures.

This product is UL and cUL certified and comply with UL60950-1 Information Technology Equipment applicable requirement.