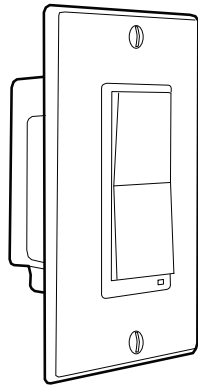
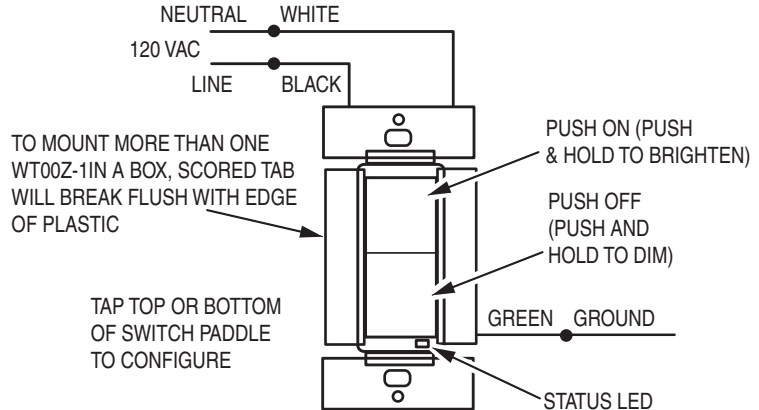


**Z-Wave Radio Frequency (RF) Controlled, 120 VAC
Scene and NWI Capable, Wall Mounted Transmitter, Series 300**



Shown with supplied decorative trim plate



NOTE: This unit must be added to the Network **only where it will be permanently installed**. The proper operation of this node in the mesh network is dependent on it knowing its location with respect to other nodes. You cannot "test bench" configure this unit, then install.

WT00Z-1 WALL MOUNTED TRANSMITTER

The GoControl™ family of Z-Wave® certified wireless lighting products (smart LED fixtures, bulbs, switches, dimmers, outlets, plug-in modules, and thermostats) and security devices (alert sounder, motion sensor, and door/window sensor) bring a new level of intelligent wireless capability to commercial and residential environments.

The Z-Wave wireless protocol is an international wireless standard for remote home automation, security and other applications. This product can be included and operated in any Z-Wave network with other Z-Wave certified devices from other manufacturers and/or other applications. All non-battery operated nodes within the network will act as repeaters regardless of vendor to increase reliability of the network.

GoControl Z-Wave products are easy to install, are Z-Wave certified, and allow dealers to create an integrated wireless network with nearly limitless expansion and interoperability with security, energy management, home entertainment, appliances, and more.

DANGER! SHOCK HAZARD. Read and understand these instructions before installing. This device is intended for installation in accordance with the National Electric code and local regulations in the United States, or the Canadian Electrical Code and local regulations in Canada. It is recommended that a qualified electrician perform this installation. For indoor use only. Retain instructions for future use.

INSTALLATION

Wire this switch in place of a current wall switch according to the diagram above.

✓ **CAUTION!** Do not wire unit "live" (with power on the circuit).

Adding to a network:

Refer to your Controller operating instructions to add this switch under the command of the Wireless Controller.

1. With your Controller in Discovery or Add Mode, tap the switch once for Network Wide Inclusion. Tap twice for Standard Inclusion.
2. You should see an indication on your Controller that the "device was added" to the network and the LED will stop blinking.
3. The device will appear in the list of Switches. It should display as a switch.

Removing from a network:

The WT00Z-1 can be removed from the network by the Controller/Gateway. Refer to the Controller operating instructions for details.

1. Set the Controller into Removal Mode and follow its instruction to delete the WT00Z-1 from the Controller.
2. Remove the switch by tapping the paddle 2 times.
3. You should see an indication on your Controller that the "device was removed" from the network.

BASIC OPERATION

Switches

The paddle on the WT00Z-1 allows the user to:

- Turn the Associated devices on or off.
- Tapping top of switch turns the Associated device ON.
- Tapping bottom of switch turns the Associated device OFF.

Dimmers

The paddle on the WT00Z-1 allows the user to:

- Dim the Associated devices.
- Press and Hold the top of switch to increase the intensity of the Associated device.
- Press and Hold the bottom of switch to decrease the intensity of the Associated device.
- Tapping top of switch turns the Associated device ON to the previously set level.
- Tapping bottom of switch turns the Associated device OFF.

LED Indication

To act as a night light, the LED on the WT00Z-1 will turn ON when the Associated device is OFF. However, the LED can be user configured to turn ON, when the Associated device is ON, if so desired. See "CONFIGURATION" section.

Remote Control

The WT00Z-1 will respond to BASIC and BINARY commands that are part of the Z-Wave system. Refer to your Controller's instructions as to whether your Controller can transmit those commands.

Associations

It is recommended that you use your Z-Wave hub's application to create Associations.

Removing Associations

To remove the Associations, refer to the Z-Wave Hub's instructions on how to remove Associations. If the Hub has not recognized the Associations, removing the WT00Z-1 from the Z-Wave network will eliminate the Associations.

ADVANCED OPERATION

All On/All Off

The WT00Z-1 supports the ALL ON / ALL OFF commands. The WT00Z-1 can be set to respond to ALL ON and ALL OFF commands four different ways.

Refer to your Controller for information on how to set the WT00Z-1 to operate in the manner you desire. Some Controllers may be only able to set certain settings of ALL ON / ALL OFF response.

The four different ways the WT00Z-1 can be setup to respond to ALL ON and ALL OFF commands are:

1. Responds to ALL ON or the ALL OFF command.
2. Responds to ALL OFF command but will not respond to ALL ON command.
3. Responds to ALL ON command but will not respond to ALL OFF command.
4. Responds to ALL ON and the ALL OFF command.

CONFIGURATION

The WT00Z-1 supports the Configuration command.

The WT00Z-1 simulates the operation of a dimmer. Using configuration commands you can adjust the dimming parameters as though it were a dimmer. The WT00Z-1 can be configured to operate slightly differently than how it works when you first install it. Using the configuration command you can change operational characteristics.

Night Light

By default, the LED on the WT00Z-1 will turn OFF when the Associated device is turned ON. To make the LED turn ON when the Associated device is turned ON, set Parameter 3 to a value of 1.

Parameter	Length	Valid Values	Configuration Option
3	1 Byte	0	LED OFF when the load is on, and ON when the load is off (default - night lite mode)
		1	LED ON when the load is on, and OFF when the load is off
		2	LED is always on
		3	LED is always off
		4	LED blinks during RF transmissions from or to the device

Invert Switch

To change the top of the switch to OFF and the bottom of the switch ON, set Parameter 4 to a value of 1.

Parameter	Length	Valid Values	Configuration Option
4	1 Byte	0	Top of switch is ON, bottom of switch is OFF (default)
		1	Bottom of switch is ON, top of switch is OFF

Ignore Start Level When Transmitting Dim Commands

The WT00Z-1 can send Dim commands to Associated Z-Wave enabled dimmers. The Dim command has a start level embedded in it.

By default, the WT00Z-1 sends a command so the Associated device will start dimming from its current dim level. However, a parameter can be set so that the WT00Z-1 sends a command to the Associated device to start dimming from the command's level.

To send the start level from the WT00Z-1, set Parameter 5 to 0.

Parameter	Length	Valid Values	Configuration Option
5	1 Byte	0	Dimmer starts from level sent by dim command
		1	Dimmer starts dimming from its current dim level (default)

✓ *NOTE: GoControl Z-Wave enabled dimmers have the configuration option to ignore the start level no matter how you configure the WT00Z-1.*

Adjusting Dim Rate

Dim Level

When the WT00Z-1 is Associated with Z-Wave multi-level switches (dimmers), the brightness setting of the Associated device is called the Dim Level.

When the WT00Z-1 adjusts the Dim Level of the Associated device, the rate that Dim Level changes depends on the Dim Step (Parameter 7) and Dim Timer (Parameter 8) values. These values can be changed instantly to allow various scenes and effects.

Dim Step

Dim Step can be set to a value of 1 to 99. This value indicates how many levels the dimmer will change each time the Dim Timer expires.

Dim Timer

The Dim Timer (how fast the dim steps happen). It can be set to a value of 1 to 255. This value indicates in 10 millisecond resolution, how often the dim level will change.

Examples:

- If the Dim Timer parameter value is set to 1, every 10mS the Dim Level will change by the Dim Step value.
- If the Dim Timer parameter value is set to 255, every 2.55 seconds the Dim Level will change by the Dim Step value.

With the combination of the two parameter values that control the dim rate, the dimmer can be adjusted to dim from maximum to minimum or minimum to maximum at various speeds between 10 millisecond and 252.45 seconds (over 4.25 minutes).

Parameter	Length	Valid Values	Configuration Option
7	1 Byte	1-99	Dim Step (default = 3, 3 steps)
8	1 Byte	1-255	Dim Timer (default = 10, 100 mS)

✓ *NOTE: This only affects a dim level that is sent to the Associated device by the WT00Z-1 since the WT00Z-1 does not directly wire to load.*

Resetting to Defaults

Each configuration Parameter can be set back to its default setting by setting the default bit in the Configuration Set command. See your Controller's instructions on how to do this (and if it supports it). All configuration commands will be reset to their default state when the WT00Z-1 is excluded from the Z-Wave network by using the Controller to reset the node.

SPECIFICATIONS

Power: 120 VAC, 60 Hz
Signal (Frequency): 908.42 MHz
Maximum Load: None
Range: Up to 130 feet line of sight

Z-Wave® is a registered trademark of Sigma Designs and its subsidiaries in the United States and other countries.

REGULATORY INFORMATION

The WT00Z-1 is certified to comply with applicable FCC and IC rules and regulations governing RF and EMI emissions. This device complies with part 15 of the FCC Rules. Operation is subject to the following two conditions: (1) This device may not cause harmful interference, and (2) This device must accept any interference received, including interference that may cause undesired operation.

FCC Notice

This equipment has been tested and found to comply with the limits for a Class B digital device, pursuant to Part 15 of the FCC Rules. These limits are designed to provide reasonable protection against harmful interference in a residential installation.

This equipment generates, uses, and can radiate radio frequency energy and, if not installed and used in accordance with the instructions may cause harmful interference to radio communications. However, there is no guarantee that interference will not occur in a particular installation. If this equipment does cause harmful interference to radio or television reception, which can be determined by turning the equipment off and on, the user is encouraged to try to correct the interference by one or more of the following measures:

- Reorient or relocate the receiving antenna.
- Increase the separation between the equipment and receiver
- Connect the equipment into an outlet on a circuit different from that to which the receiver is connected
- Consult the dealer or an experienced radio/TV technician for help.
- Changes or modifications not expressly approved by the party responsible for compliance could void the user's authority to operate the equipment

IC Notice

This Class B digital apparatus complies with Canadian ICES-003

Cet appareil numérique de la classe B est conforme à la norme NMB-003 du Canada. Le présent appareil est conforme aux CNR d'Industrie Canada applicables aux appareils radio exempts de licence. L'exploitation est autorisée aux deux conditions suivantes : (1) l'appareil ne doit pas produire de brouillage, et (2) l'utilisateur de l'appareil doit accepter tout brouillage radioélectrique subi, même si le brouillage est susceptible d'en compromettre le fonctionnement.

This device complies with the Industry Canada license exempt RSS standard(s). Operation is subject to the following two conditions: (1) this device may not cause interference, and (2) this device must accept any interference, including interference that may cause undesired operation of the device.

WARRANTY

What is Covered?

Nortek Security & Control ("NS&C") warrants to consumers who purchase this product for personal, family or household purposes new from NS&C directly or from an authorized NS&C dealer, that the product will be free from defects in materials and workmanship for a period of (1) year from the date of purchase. This warranty only applies if the product is installed at a residence in the 50 United States or District of Columbia, and only at the site of the original installation. It is not transferable. This warranty is not extended to resellers.

If a defect exists, NS&C will have you ship the defective part or product to us and we will, at our option, either repair or replace it.

This warranty does not cover defects or damages caused by improper handling, maintenance, storage, installation, removal or re-installation, misuse, non-factory authorized modification or alteration, use of incompatible accessories, electrical power problems or surges, impact by foreign objects, accident, fire, acts of God, normal wear and tear or shipping damage other than a shipment from NS&C. Note that all NS&C products are designed to be installed, removed and serviced by trained individuals or professionals.

Keep your original sales receipt as it will be required to obtain warranty service.

This warranty shall not be extended or restarted upon receipt of any repaired or replacement part or product under this warranty. No person is authorized to extend or otherwise modify this warranty.

How do I Obtain Warranty Service?

To obtain warranty service, email our Returns Department at returns@nortek.com. Include your name, address, telephone number, the model number of your product, a copy of your original sales receipt, and a description of the problem. Unless we need to discuss the situation further with you, you will be emailed a Return Authorization Number and shipping instructions. If we need to discuss the situation further with you, we will call or email you. NS&C may require troubleshooting on installed product before a Return Authorization Number is issued. Anything shipped to us without a Return Authorization Number will be automatically returned unopened. You are responsible for the charges for shipment to us, unless you are a California resident.

Limitations

THE DURATION OF ANY IMPLIED WARRANTY, INCLUDING THE WARRANTIES OF MERCHANTABILITY AND FITNESS FOR A PARTICULAR PURPOSE, SHALL NOT EXCEED THE WARRANTY PERIOD PROVIDED HEREIN.

Some states do not allow limitations on how long an implied warranty lasts, so the above limitation may not apply to you.

NS&C SHALL NOT BE LIABLE FOR ANY INCIDENTAL OR CONSEQUENTIAL DAMAGES RESULTING FROM THE BREACH OF ANY WRITTEN OR IMPLIED WARRANTY.

Some states do not allow limitations on how long an implied warranty lasts, so the above limitation may not apply to you.

This warranty gives you specific legal rights, and you may also have other legal rights which vary from State to State.

IMPORTANT !!!

Radio controls provide a reliable communications link and fill an important need in portable wireless signaling. However, there are some limitations which must be observed.

- For U.S. installations only: The radios are required to comply with FCC Rules and Regulations as Part 15 devices. As such, they have limited transmitter power and therefore limited range.
- A receiver cannot respond to more than one transmitted signal at a time and may be blocked by radio signals that occur on or near their operating frequencies, regardless of code settings.
- Changes or modifications to the device may void FCC compliance.
- Infrequently used radio links should be tested regularly to protect against undetected interference or fault.
- A general knowledge of radio and its vagaries should be gained prior to acting as a wholesale distributor or dealer, and these facts should be communicated to the ultimate users.

GoControl™

 **NORTEK**
SECURITY & CONTROL
USA & Canada (800) 421-1587 & (800) 392-0123
(760) 438-7000 - Toll Free FAX (800) 468-1340
www.nortekcontrol.com