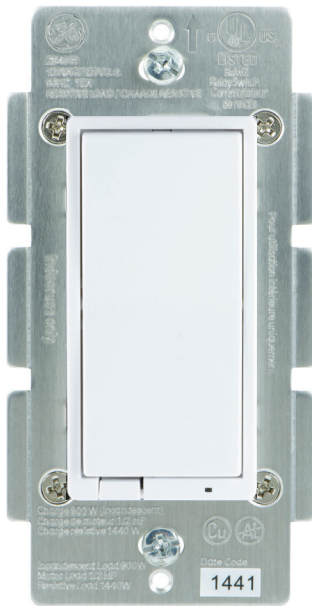


GE ZigBee In-Wall Smart Dimmer



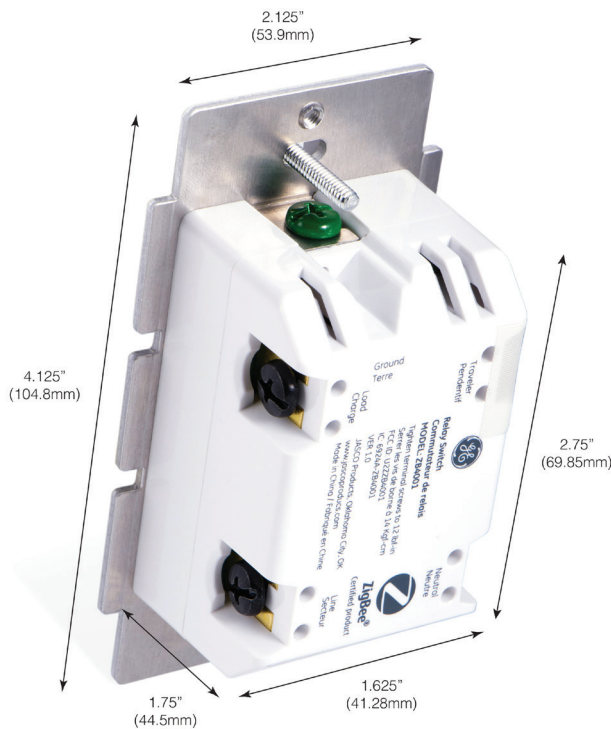
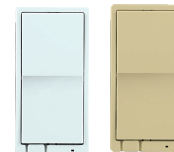
Specifications

- Power:** 120VAC, 60Hz
 - Signal Frequency:** 2.4GHz IEEE 802.15.4
 - Maximum Load:** 600W incandescent, 150W dimmable CFL/LED
 - Range:** Up to 150 feet from controller or closest Zigbee device
 - Operating Temperature:** 32-104 °F (0-40 °C)
 - Warranty:** 2-year limited product warranty
- Requires neutral wire. Switch must be mounted indoors.**

Design Features

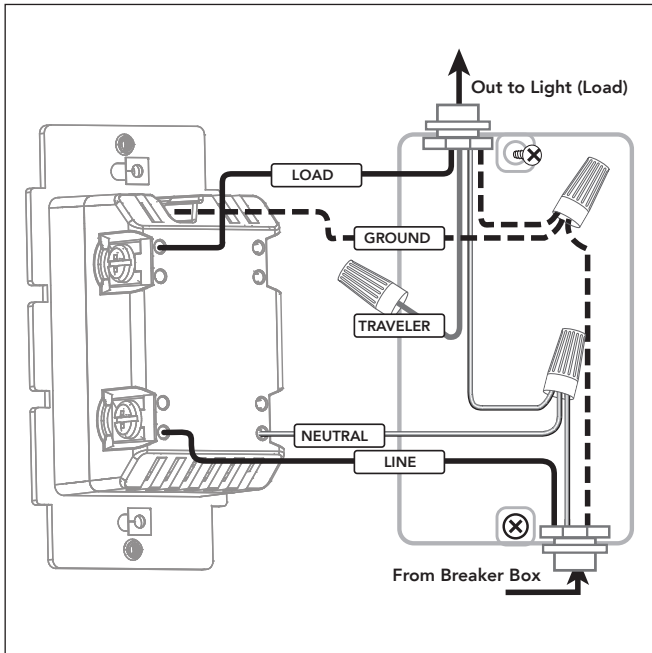
- Control ON/OFF and brightness level of the connected lighting manually or via ZigBee HA 1.2 certified controller*
- ZigBee HA 1.2 certified for simple pairing and integrated home automation*
- May be used in single-pole installation or with up to four GE model 12723 add-on switches in 3-, 4-, 5- or 6-way wiring configurations
- Blue LED indicates switch location in a dark room and when awaiting pairing with ZigBee controller
- Energy Monitoring** - Track Watts (W) and Kilowatt Hours (kWh) through the ZigBee controller
- Can be included in multiple groups and scenes
- Screw terminal installation requires wiring connections for line (hot), load, neutral and ground. Traveler wire required for multi-pole installation
- Uses a standard-size "decora" style wallplate for single-gang installations (wallplate not included)
- Includes white and light almond paddles.
- LED can be enabled/disabled manually
- In-line traveler circuit protection
- UL listed to work with dimmable LED/CFL bulbs

White/light almond paddles included

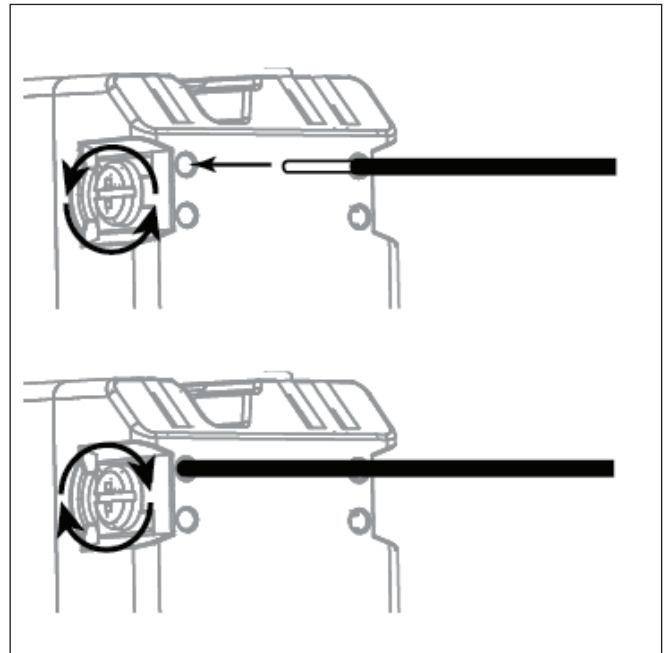


* Requires ZigBee hub or controller. Functions may vary depending on brand.

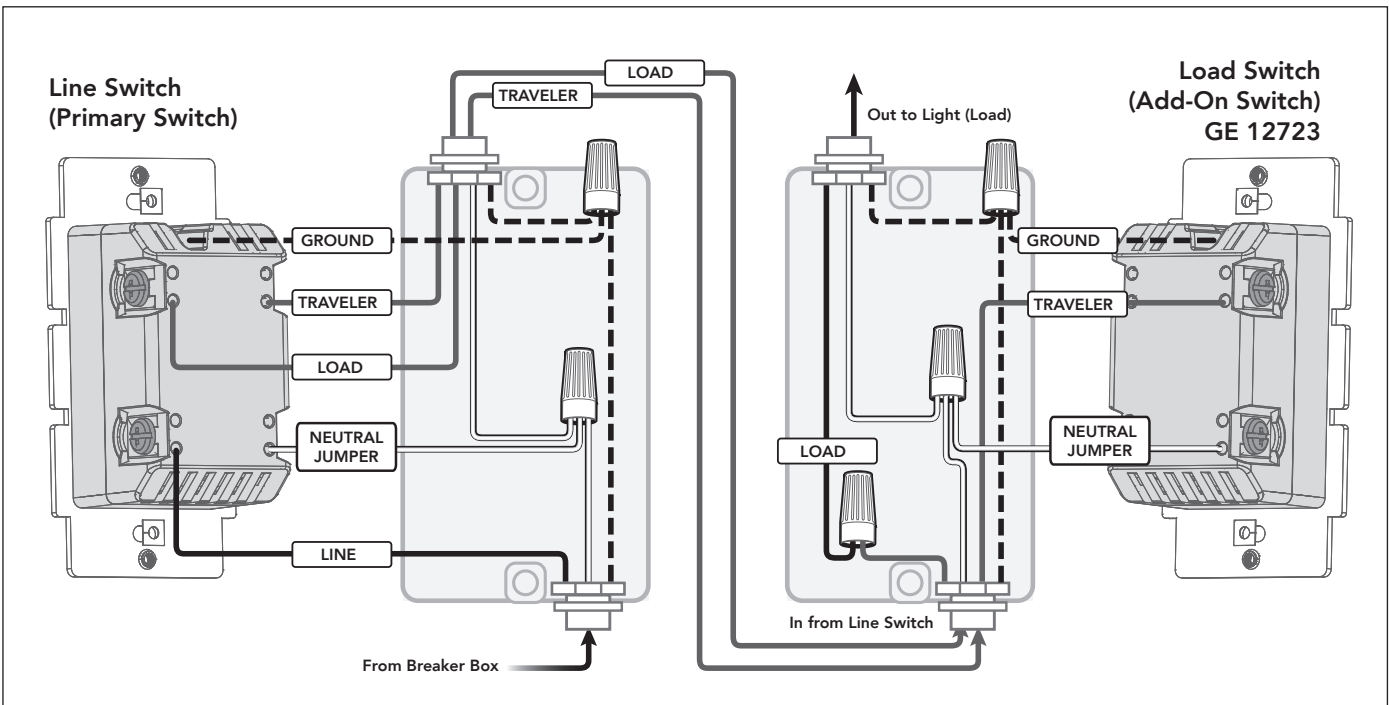
Single-Location Wiring



Space-Saving Screw Terminals



Multi-Location Wiring



Installation Recommendations:

- Devices require a single-gang U.S. wall box – 3.5in. deep recommended, 2.25 in. deep minimum
- Indoor use only
- Visit <http://www.ezigbee.com/hubs/> for hub compatibility
- Wallplates sold separately
- Trilingual instruction manual – English, French, Spanish



Range Extender

Each GE-branded smart control repeats the signal up to 150 feet. Installing additional GE-branded smart controls extends the range of your ZigBee network for whole-home wireless control.

 **Energy Monitoring**

This GE-branded Smart Dimmer reports energy usage of connected devices providing the information and automation needed to reduce energy consumption and save money.

 **Full-Range Dimmability**

Adjust brightness level from 0-100%.

Device Configuration

Zigbee network pairing

1. From your ZigBee Controller's interface, choose to add lighting device and enter Locating/Pairing mode as instructed by the controller.
2. Restore power to the Smart Dimmer at the circuit breaker
3. Network pairing begins automatically: LED status indicator blinks as the Smart Dimmer automatically scans for a compatible network controller to pair with.
4. After the Smart Dimmer is located and paired to the ZigBee network, the LED status indicator will stop blinking and the Smart Dimmer will appear in your controller's menu.
5. The Smart Dimmer is now paired to the ZigBee network and can be controlled remotely.

Remove from Zigbee network

From your controller or hub interface, choose to remove or delete the lighting device as instructed. The Smart Dimmer will be removed from the ZigBee network following indication from your controller. All configuration parameters will be reset after the Smart Dimmer is removed from the network.

Manual

1. Lift the air-gap switch at the bottom of the rocker to OFF position to power down the device.
2. Hold down the UP button
3. Push In the air-gap switch to ON position to power up the device.
4. Release UP button within 4 seconds after power up

Certifications & Compliances



Compliances, specifications and availability are subject to change without notice

Distributed by Jasco Products Company LLC
10 E. Memorial Rd., Oklahoma City, OK

©Jasco 2018

Related Products - GE ZigBee Smart Controls



45856GE
In-Wall
Smart Switch



45853GE
Plug-In
Smart Switch



45852GE
Plug-In
Smart Dimmer