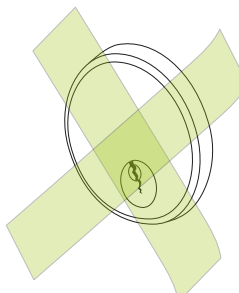
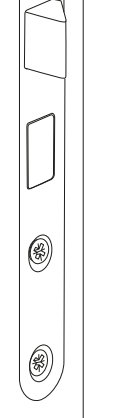
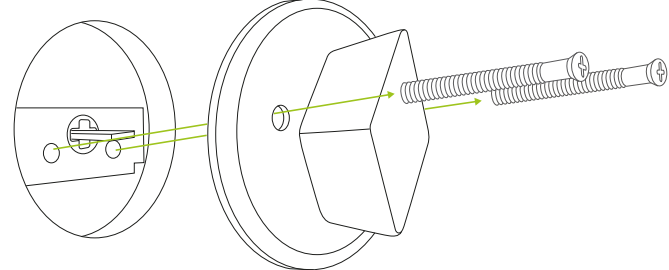


1. Tape your lock

On some doors it can be helpful to put a piece of tape across the lock on the outside of the door to prevent it from falling when the screws are removed.

2. Remove the current door lock

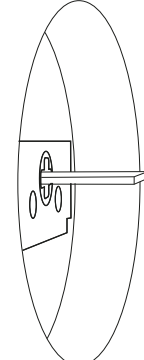


Remove the existing thumb turn on the inside of the door.

2. Normal tailpiece length

Most doors have tailpieces that extends 10 - 24 mm from the door plate.

They will fit the Danalock without need for any adjustments to their length!

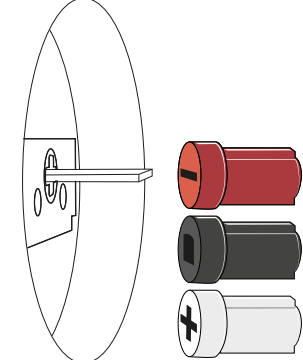


4. Tailpiece adaptors

Choose the tailpiece adaptor that match your doors tailpiece.

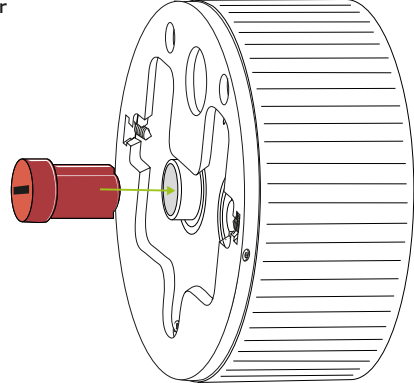
They match Baldwin, Defiant, Emtek, Kwikset, Omnia, Schlage, Weiser, Weslock and many other door locks.

Please look at the Standard Deadbolt compability chart at the bottom of the page to find the right Adaptor.



5. Attach the tailpiece adaptor

Insert the tailpiece adaptor that suits the tailpiece on your door in the center tube on the backside of your Danalock.



6. Choose the right back plate

In the Danalock box there's 4 different metal back plates.

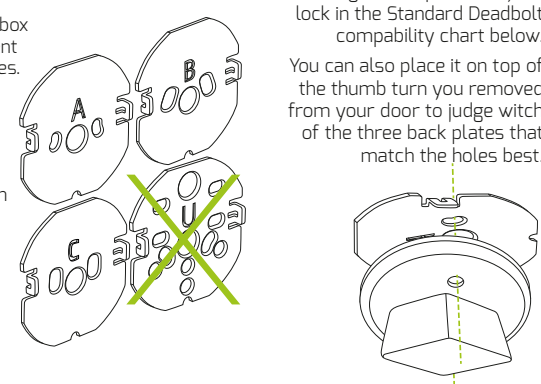
A, B and C is for US deadbolt doors.

You will have to compare with your door lock to find the one that matches.

The U plate is for EURO and SCANDI doors.

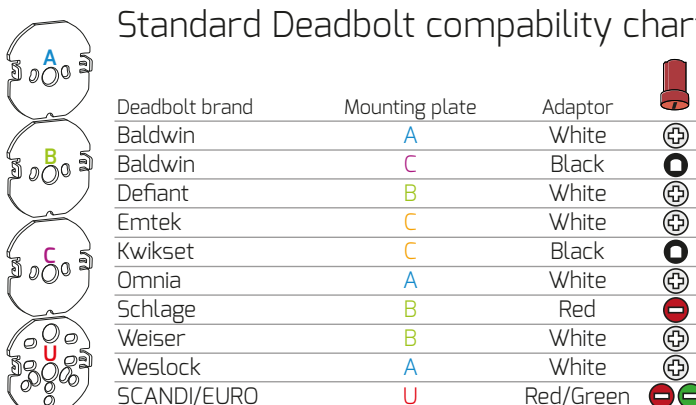
Find the right back plate for your lock in the Standard Deadbolt compability chart below.

You can also place it on top of the thumb turn you removed from your door to judge witch of the three back plates that match the holes best.



Standard Deadbolt compability chart

Deadbolt brand	Mounting plate	Adaptor
Baldwin	A	White
Baldwin	C	Black
Defiant	B	White
Emtek	C	White
Kwikset	C	Black
Omnia	A	White
Schlage	B	Red
Weiser	B	White
Weslock	A	White
SCANDI/EURO	U	Red/Green

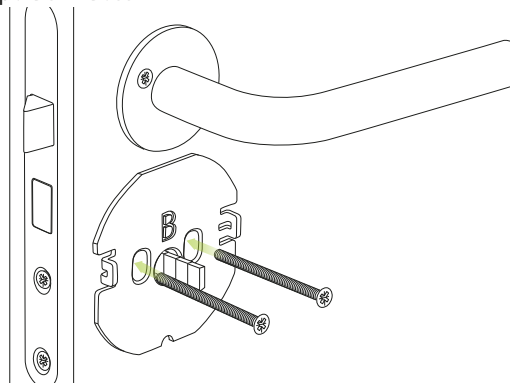


7. Mounting the back plate on the door

Place the back plate where the thumb turn used to be on your door.

The round hole in the middle is for the tailpiece.

Use the 2 screws from the thumb turn to attach the back plate.

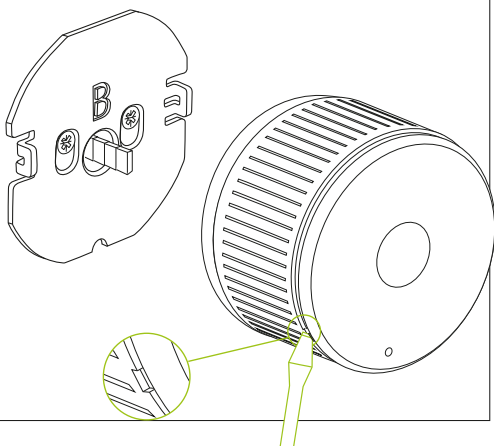


8. Remove the lid

To power up your Danalock circle you first have to remove the top lid from the housing base.

Use a small flat-head screwdriver to separate the lid from the housing base.

Be gentle when removing the lid.

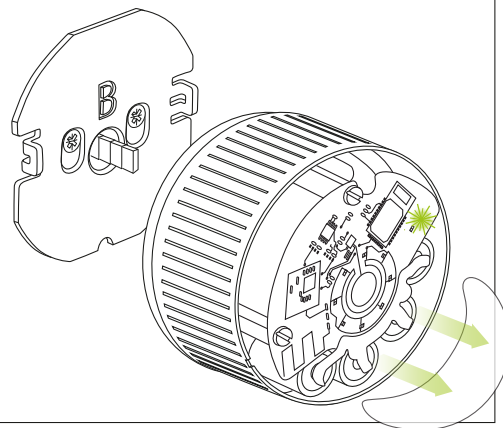


9. Power up the lock

The Danalock comes with batteries inserted, but a thin plastic folio guarantees that your new Danalock is fully charged.

Remove the folio and the Danalock lights up with a green light for 5-10 seconds.

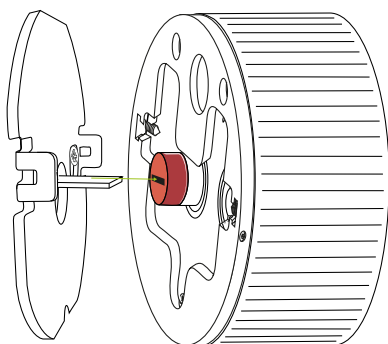
NOTE: This LED is the ONLY light that lights up after the folio has been removed.



10. Fit the tailpiece to the middle of the housing base

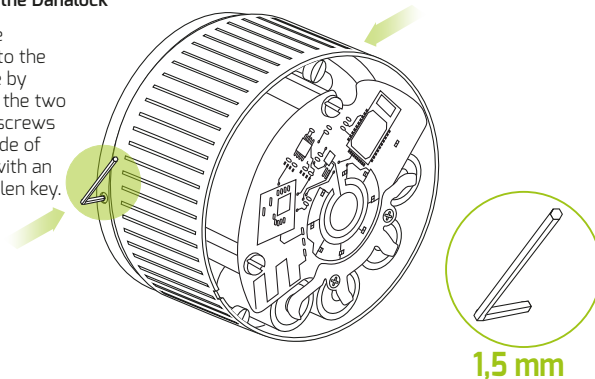
Fit the Danalock over the back plate.

Make sure that the tailpiece hits the slide in the middle of the adaptor.



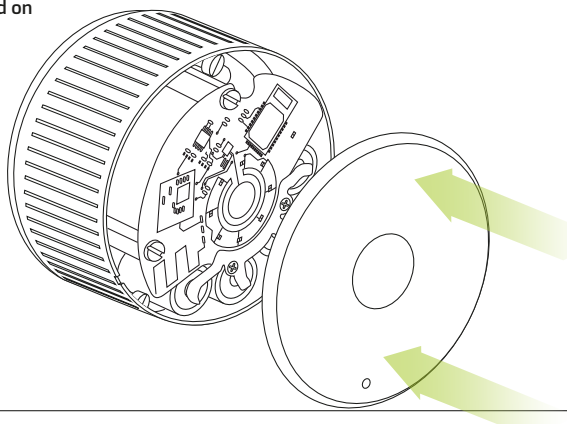
11. Fasten the Danalock

Fasten the Danalock to the back plate by tightening the two umbraco screws on each side of the base with an 1,5 mm Allen key.



12. Click the lid on

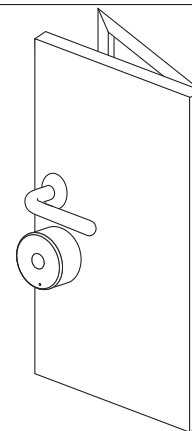
Click the lid gently back on.



13. Ready for calibrating

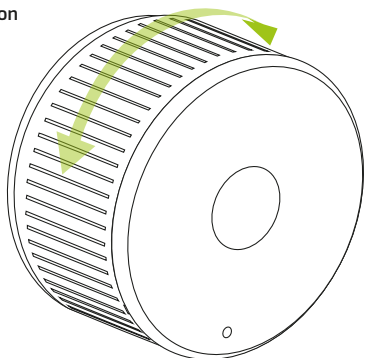
You need to calibrate the Danalock before you can use it.

Please twist the Danalock with your hand until the door is unlocked. Leave the door open, so the lock isn't affected while it is calibrating.



14. Lock/unlock door with User button

Go to Google Play or App Store and download the Danalock App. When you have installed the App and logged in, a wizard will guide you through the calibration and adjustments of the Danalock.



Note: If the batteries are disconnected, you will have to calibrate the Danalock again.